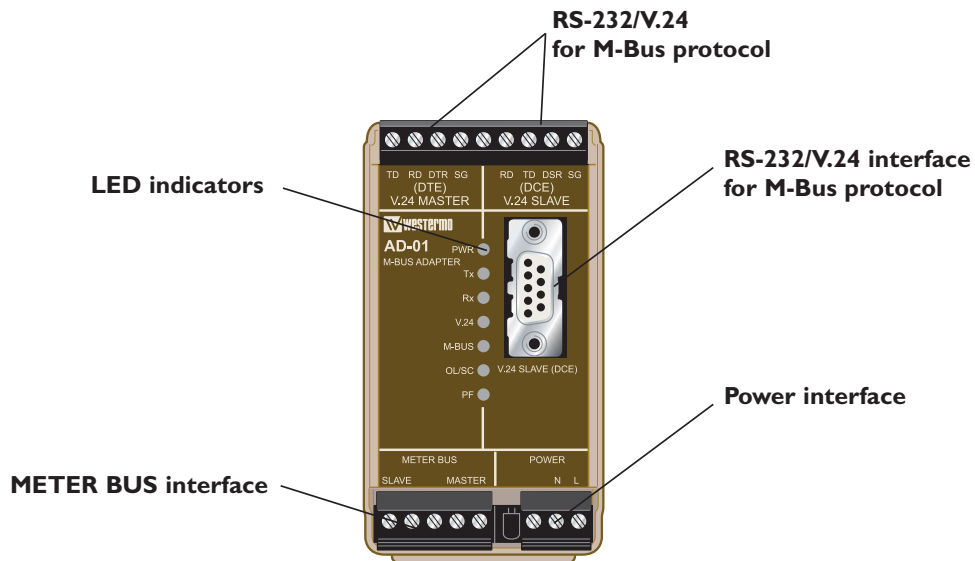


AD-01 M-Bus adapter



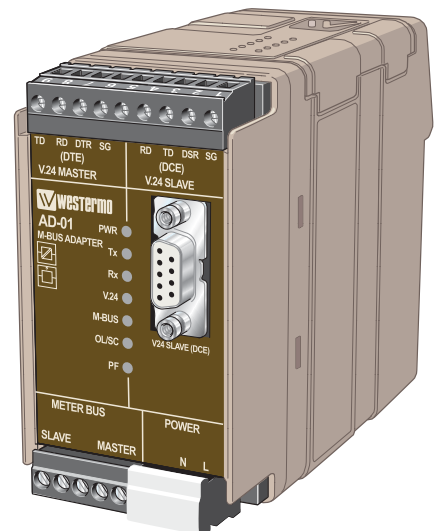
AD-01 for building of M-Bus networks

AD-01 is a flexible product which implements a number of possibilities to extend / control a M-Bus network.

AD-01 includes a micro controller (μC) which handles the data flow through the unit. The main function is activating / deactivating of the two ports, RS-232/V.24 master and M-Bus master which gives possibilities for the unit to work as a zone controller.

Data packets received on the slave side is passed further on the active master ports. Data packets received on active master ports is passed further on both slave ports. AD-01 can be addressed and configured over the slave ports (M-Bus protocol).

AD-01's master ports are active according to factory default. This means that AD-01 can be used as a RS-232 / M-Bus converter without any external configuration.

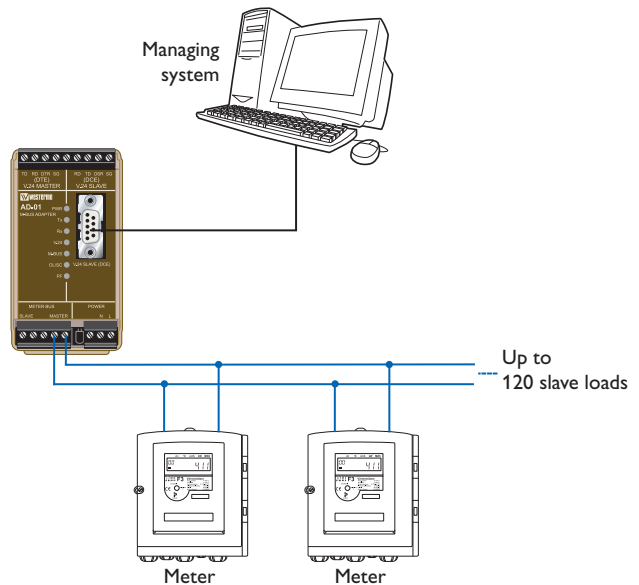


AD-01 as converter RS-232 to M-Bus

AD-01 can be used as a converter between RS-232 (M-Bus protocol) and M-Bus. The M-Bus master interface can drive up to 120 slave loads.

Consider the following points.

- AD-01 can be used transparently, no addressing or set up of AD-01 using the M-Bus protocol is necessary.
- The primary address* should be set to 0 to avoid addressing of the AD-01 unit.



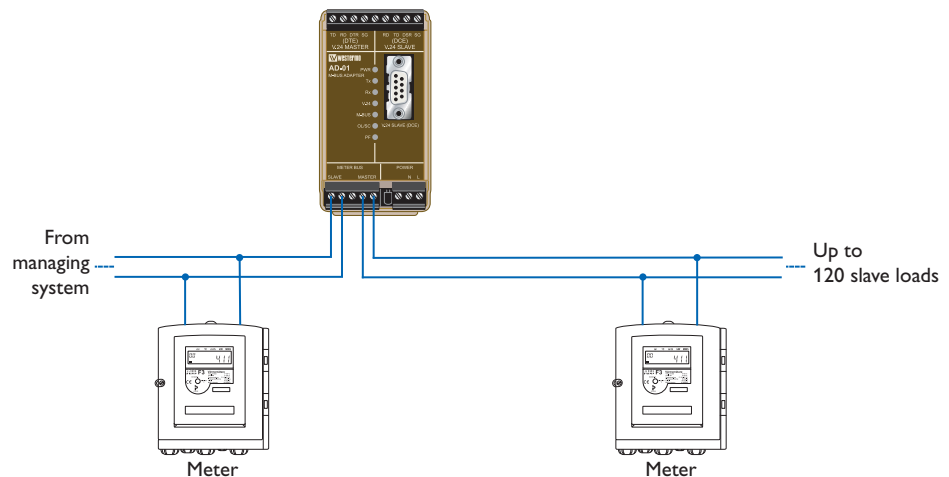
AD-01 as repeater

AD-01 can be used as repeater for M-Bus. The M-Bus master interface can extend the network with up to 120 new slave loads.

Consider the following points.

- AD-01 can be used transparently, no addressing or set up of AD-01 using the M-Bus protocol is necessary.
- The primary address* should be set to 0 to avoid addressing of the AD-01 unit.

* Set by DIP-switches.

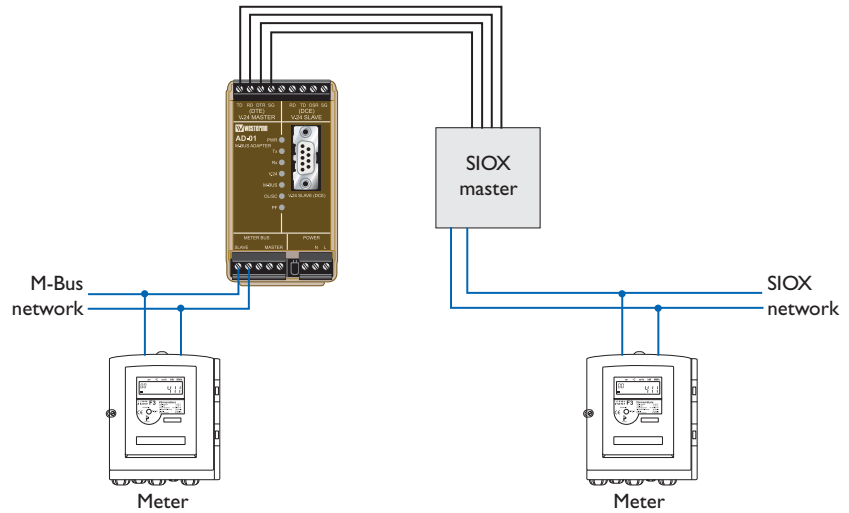


AD-01 and connection to SIOX networks

AD-01 can be used to connect a M-Bus network to a SIOX network.

Consider the following points.

- AD-01 can be used transparently, no addressing or set up of AD-01 using the M-Bus protocol is necessary.
- The primary address* should be set to 0 to avoid addressing of the AD-01 unit.
- AD-01 should only be used in data-rate using protocol mode since auto-baud is not possible when receiving SIOX commands.

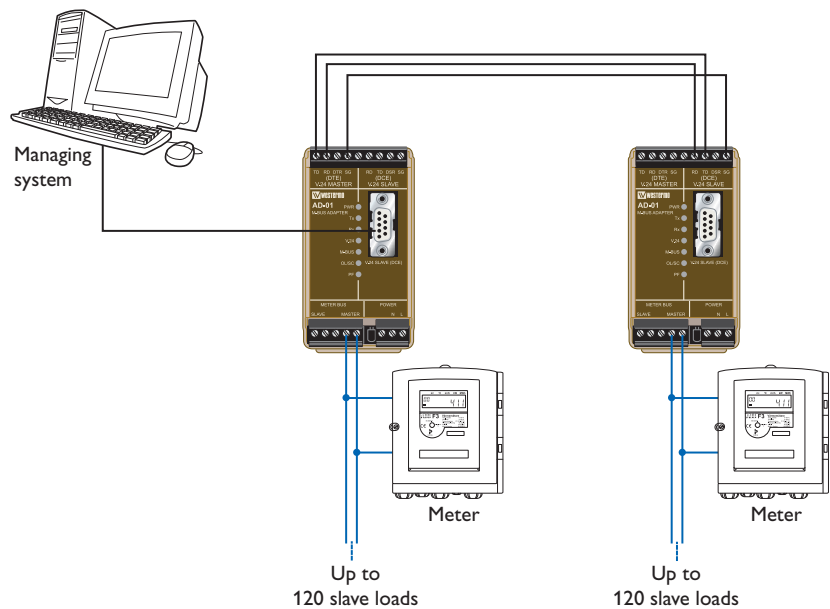


AD-01 as zone controller

AD-01 can be used as zone controller to build larger M-Bus networks.

Consider the following points.

- AD-01 is addressed and set up by the supervision system
- AD-01 can be addressed with primary* or secondary address**
- If meters with different data rate is used the AD-01 should be set up for autobaud.



* Set by DIP-switches.

** Unique identification.

AD-01 to extend a network with a modem link

Two AD-01 units can be used to extend an existing network with any type of modem link.

Consider the following points.

- AD-01 can be used transparently, no addressing or set up of AD-01 using the M-Bus protocol is necessary.
- The primary address should be set to 0 to avoid addressing of the AD-01 unit.
- Observe that if a dial-up modem is used the supervision system needs to send dial commands to the modem. The supervision system must also control that a link is established before sending data over the link.

