

# CyBox GW 2-P

MOBILE WIRELESS GATEWAY WITH 5G AND WI-FI 5 / WAVE 2



## INSTALLATION MANUAL

## DISCLAIMER

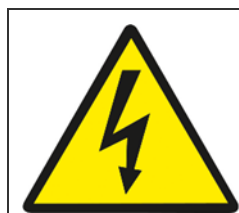
### Copyright

© 2024 Westermo Eltec GmbH. The information, data, and figures in this document including respective references have been verified and found to be legitimate. In particular in the event of error they may, therefore, be changed at any time without prior notice. The complete risk inherent in the utilization of this document or in the results of its utilization shall be with the user; to this end, Westermo Eltec GmbH shall not accept any liability. Regardless of the applicability of respective copyrights, no portion of this document shall be copied, forwarded or stored in a data reception system or entered into such systems without the express prior written consent of Westermo Eltec GmbH, regardless of how such acts are performed and what system is used (electronic, mechanic, photocopying, recording, etc.). All product and company names are registered trademarks of the respective companies.

Our General Business, Delivery, Offer, and Payment Terms and Conditions shall otherwise apply.

## SAFETY INFORMATION

### Electrical safety



#### WARNING


The device can be operated with voltages over 75 V DC.  
Incorrect handling risks causing a fatal electrical shock.

Before connecting the power supply, connect the device to protective earth.

### General advice

- Only qualified personnel is allowed to install, operate and maintain the devices.
- Please take safety precautions against electrostatic discharge (ESD).
- Access to the devices may only be granted to qualified personnel.
- To prevent the risk of electric shock, turn off the external power supply and remove the power supply cable from the electrical outlet before handling or disassembling the system.
- When adding or removing devices to or from the system, ensure that the power cables for the devices are unplugged before the signal cables are connected.
- Make sure that your power supply is set to the correct voltage in your area. If you are not sure about the voltage of the electrical outlet you are using, contact your local power company.
- If the power supply is broken, do not try to fix it by yourself. Contact a qualified service technician or your retailer.

## Operation safety

	<p><b>WARNING</b></p> <p>The device can become very hot during operation (&gt; 80 ° C). Make sure it is protected from accidental contact.</p> <p>The device must be installed so that it is not accessible to children.</p> <p>To prevent burns, switch off the device and allow to cool down for half an hour before disassembling or working on it.</p>
---	--

- Before installing the device and connecting cables to it, carefully read the related manuals.
- Before using the device, make sure all cables are correctly connected and the power cables are not damaged. If you detect any damage, contact your dealer immediately.
- Avoid dust, humidity, and temperature extremes. Do not place the product in any area where it may become wet.
- Place the product on a stable surface.
- If you encounter technical problems with the product, contact a qualified service technician or your retailer.

## Radio Frequency Exposure Statement

At least 20 cm separation distance between the antenna and the user's body must be maintained at all times.

## RECYCLING

Please recycle packaging environmentally friendly:



Packaging materials are recyclable. Please do not dispose packaging into domestic waste but recycle it.

Please recycle old or redundant devices environmentally friendly:



Old devices contain valuable recyclable materials that should be reutilized. Therefore please dispose old devices at collection points which are suitable.

## EU DECLARATION OF CONFORMITY



Westermo Eltec GmbH herewith declares that the device is compliant to the basic requirements of the directive 2014/53/EU. The full text of the EU declaration of conformity is available in the Download Center at [www.eltec.com](http://www.eltec.com).

**CONTACT**

Westermo Eltec GmbH  
Galileo-Galilei-Straße 11  
55129 Mainz  
Germany

Fon +49 6131 918 100

Email [info.eltec@westermo.com](mailto:info.eltec@westermo.com)

www [www.eltec.com](http://www.eltec.com) | [www.westermo.com](http://www.westermo.com)

**CONTENTS**

1	ABOUT THIS DOCUMENT	1
2	OVERVIEW	2
2.1	Products	2
3	HARDWARE	3
3.1	Device Connectors	3
3.1.1	Power Supply Connector	3
3.1.2	M12 Ethernet Interfaces	3
3.1.3	M12 Service Interface (USB and Serial Port)	4
3.2	Mezzanine extensions	5
3.2.1	MVB Interfaces	5
3.2.2	2.5 Gbps Ethernet Interface	6
3.2.3	M.2 PCIe SSD Extension	6
3.3	Antenna Connectors	7
3.4	Front Panel and Module-to-Antenna Connections	8
3.4.1	Correlation Front Panel Labelling - Software	9
3.5	LED Indicators	10
3.5.1	Power LED Status	10
3.5.2	Status LED 1	10
3.5.3	Status LED 2	10
3.5.4	Module 1-4 LED Status	11
3.5.5	LAN LED (100 M   1000 M) Status	11
3.6	Reset Switch	11
3.7	SIM Cards	12
4	MOUNTING	13
4.1	Connecting an Earthing Cable	14
4.2	Electrical Connection	14

**LIST OF TABLES**

Table 1	Pin Assignment of Power Supply Connector (PWR)	3
Table 2	Pin Assignment of M12 Ethernet Connectors (LAN 1/2)	3
Table 3	Pin Assignment of M12 Service Connector	4
Table 4	Pin Assignment of MVB Connectors	5
Table 5	Pin Assignment of 2.5 Gb M12 Ethernet Connector (LAN 3)	6
Table 6	Overview Front Panel Antenna Description	9
Table 7	Power LED Status	10
Table 8	Status LED 1	10
Table 9	Status LED 2	10
Table 10	Module 1-4 LED Status	11
Table 11	LAN LED Status	11
Table 12	Reset Switch Behavior	11

**LIST OF FIGURES**

Figure 1	Picture of CyBox GW 2-P	2
Figure 2	Example M.2 PCIe SSD	6
Figure 3	Examples of Front Panels	8
Figure 4	SIM Slot Assignment per Modem	12
Figure 5	Dimensions of the Housing	13
Figure 6	Earth Cable Mounting on Earth Stud	14

## 1 ABOUT THIS DOCUMENT

This installation manual is intended only for system developers and integrators. It is not intended for end users.

It describes the hardware functions of the product, connection of peripheral devices and integration into a system. Additional information on special applications and the configuration of the product is available in a separate configuration manual which can be downloaded from the Download Center at [www.eltec.com](http://www.eltec.com).



## 2 OVERVIEW

### 2.1 PRODUCTS

This installation manual comprises all information to set-up the following product.



Figure 1 **Picture of CyBox GW 2-P**

### 3 HARDWARE

#### 3.1 DEVICE CONNECTORS

##### 3.1.1 POWER SUPPLY CONNECTOR

The CyBox GW 2-P can be powered by a DC power source connected to the internal power supply and I/O connector, shown in Table 1 . The nominal input voltage can vary between 24 V and 110 VDC. The electrical power can be supplied to the device using the A-coded M12 power connector, labeled PWR.

Table 1 shows the pin assignment of the power supply connector.

	PIN	SIGNAL NAME	DESCRIPTION
	1	+VIN	Supply voltage, positive terminal
	2	+VIN	Supply voltage, positive terminal
	3	-VIN	Supply voltage, negative terminal
	4	-VIN	Supply voltage, negative terminal

Table 1 **Pin Assignment of Power Supply Connector (PWR)**

##### 3.1.2 M12 ETHERNET INTERFACES

The two LAN ports of the CyBox GW 2-P are utilizing M12 X-coded connectors with the pin assignment as shown in Table 2. Mating connectors are available from several manufacturers.

	PIN	SIGNAL NAME	DESCRIPTION
	1	D1+	First data line plus
	2	D1-	First data line minus
	3	D2+	Second data line plus
	4	D2-	Second data line minus
	5	D4+	Fourth data line plus
	6	D4-	Fourth data line minus
	7	D3-	Third data line minus
	8	D3+	Third data line plus

Table 2 **Pin Assignment of M12 Ethernet Connectors (LAN 1/2)**

### 3.1.3 M12 SERVICE INTERFACE (USB AND SERIAL PORT)

The CyBox GW 2-P is equipped with a M12-A coded USB/serial port. The USB port can be used to attach a memory device to update the firmware or to configure the device.

**Note:** The USB port is a dedicated maintenance port. It is not designed to be used while the device is in operation inside rolling stock equipment.

Table 3 shows the pin assignment of the service connector.

	PIN	SIGNAL NAME	DESCRIPTION
	1	USB-VCC	USB positive power supply voltage
	2	USB-D-	USB negative data line
	3	USB-D+	USB positive data line
	4	USB-GND	USB negative power supply voltage
	5	n.c.	Not connected
	6	RS232-TX	Console port transmit data
	7	RS232-RX	Console port receive data
	8	RS232-GND	Console port ground

Table 3 **Pin Assignment of M12 Service Connector**

## 3.2 MEZZANINE EXTENSIONS

### 3.2.1 MVB INTERFACES

The MVB interfaces of the CyBox GW 2-P are utilizing D-Sub 9 connectors. Two MVB connectors are available (in and out) to connect one MVB device. Both MVB connectors provide the same MVB signals so that a typical MVB bus topology connection can be realized. The pin assignment is shown in Table 4 below. Mating connectors are available from several manufacturers.

INTERFACE	MVB IN		MVB OUT	
CONNECTOR	D-SUB 9-PIN, FEMALE		D-SUB 9-PIN, MALE	
Pin Assignment ESD+	PIN	SIGNAL NAME	DESCRIPTION	
	1	ADP	Data P from Line A	
	2	ADN	Data N from Line A	
	3	NC	Not connected	
	4	BDP	Data P from Line B	
	5	BDN	Data N from Line B	
	6	AGND	GND from Line A	
	7	BGND	GND from Line B	
	8	A5V	5V from Line A	
9	B5V	5V from Line B		
Pin Assignment EMD	PIN	SIGNAL NAME	DESCRIPTION	
	1	ADP	Data P from Line A	
	2	ADN	Data N from Line A	
	3	NC	Not connected	
	4	BDP	Data P from Line B	
	5	BDN	Data N from Line B	
	6	ATP	Termination P from Line A	
	7	ATN	Termination P from Line A	
	8	BTP	Termination P from Line B	
9	BTN	Termination P from Line B		

Table 4 **Pin Assignment of MVB Connectors**

### 3.2.2 2.5 GBPS ETHERNET INTERFACE

The 2.5 Gb LAN port extension of the CyBox GW 2-P is utilizing an M12 X-coded connector with the pin assignment as shown in Table 5. Mating connectors are available from several manufacturers.

	PIN	SIGNAL NAME	DESCRIPTION
	1	D1+	First data line plus
	2	D1-	First data line minus
	3	D2+	Second data line plus
	4	D2-	Second data line minus
	5	D4+	Fourth data line plus
	6	D4-	Fourth data line minus
	7	D3-	Third data line minus
	8	D3+	Third data line plus

Table 5 **Pin Assignment of 2.5 Gb M12 Ethernet Connector (LAN 3)**

### 3.2.3 M.2 PCIe SSD EXTENSION

The quad-core CyBox GW 2-P is equipped with an internal M.2 B-M-Key SATA SSD with a storage capacity of up to 960 GB. In addition, an M.2 M-Key PCIe SSD can be equipped as a mezzanine extension for all CyBox GW 2-P variants to further extend the storage capacity.



Figure 2 **Example M.2 PCIe SSD**

### 3.3 ANTENNA CONNECTORS

The QLS antenna connectors are located at the lower part of the front panel. All connectors are labeled for each radio interface and GNSS.

When connecting an antenna to the QLS connector, make sure that you hear a 'click' sound confirming proper mounting.

To remove an antenna, it has to be gently pulled from the basis of the connector with one hand while the other hand is holding the antenna. Alternatively, a screwdriver can be used as a lever arm at the basis of the antenna to facilitate the removal as illustrated below.



## 3.4 FRONT PANEL AND MODULE-TO-ANTENNA CONNECTIONS

The figure below provides some examples of different front panel versions.

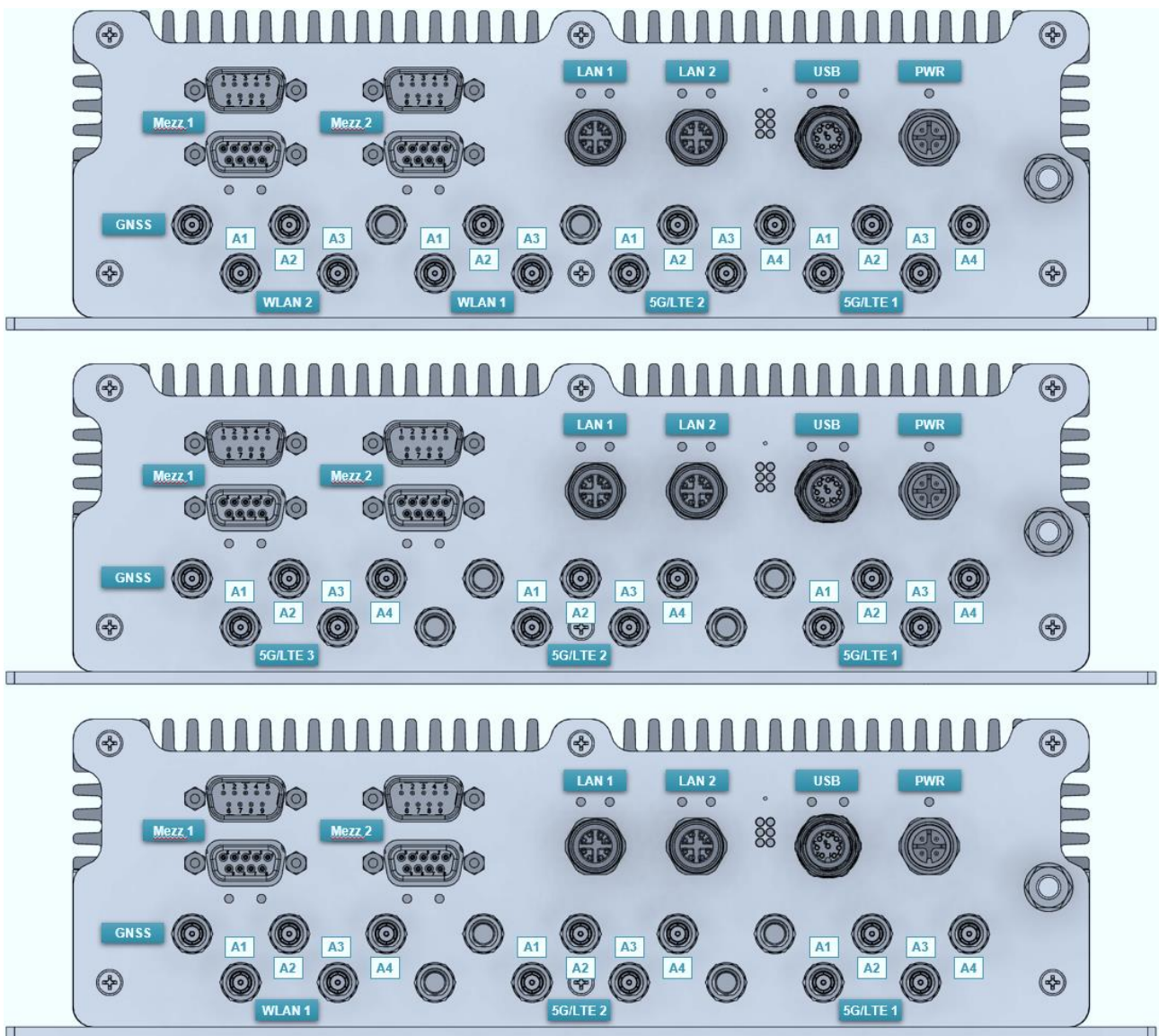


Figure 3 **Examples of Front Panels**

### 3.4.1 CORRELATION FRONT PANEL LABELLING - SOFTWARE

- The ports and LEDs "LAN 1" and "LAN 2" correspond to the interfaces "eth0" and "eth1"
- The LEDs "Module 1" to "Module 4" refer to WLAN and/or 5G/LTE modules
- WLAN modules are called "radio" within the software
- 5G/LTE modules are called "modem" within the software
- The number of antennas depends on the modules inserted in your CyBox model with max. 4 module slots available

CYBOX MODELS	LED ↔ SOFTWARE CORRELATION	ANTENNAS			
		5G/LTE 1 (MODEM_S1) A1-A4	5G/LTE 2 (MODEM_S2) A1-A4	WLAN 1 (Radio_0) A1-A3	WLAN 2 (Radio_1) A1-A3
2x 5G/LTE + 2x WLAN	Module 1 ↔ MODEM_S1 Module 2 ↔ MODEM_S2 Module 3 ↔ Radio 0 Module 4 ↔ Radio 1	5G/LTE 1 (MODEM_S1) A1-A4	5G/LTE 2 (MODEM_S2) A1-A4	WLAN 1 (Radio_0) A1-A3	WLAN 2 (Radio_1) A1-A3
2x 5G/LTE + 1x WLAN	Module 1 ↔ MODEM_S1 Module 2 ↔ MODEM_S2 Module 3 ↔ Radio 0	5G/LTE 1 (MODEM_S1) A1-A4	5G/LTE 2 (MODEM_S2) A1-A4	WLAN 1 (Radio_0) A1-A4	Not used
3x 5G/LTE	Module 1 ↔ MODEM_S1 Module 2 ↔ MODEM_S2 Module 3 ↔ MODEM_S3	5G/LTE 1 (MODEM_S1) A1-A4	5G/LTE 2 (MODEM_S2) A1-A4	5G/LTE 3 (MODEM_S2) A1-A4	Not used

Table 6 **Overview Front Panel Antenna Description**



### 3.5 LED INDICATORS

The LEDs on the front panel of the CyBox GW 2-P provide quick indication of the device status.

#### 3.5.1 POWER LED STATUS

LED COLOR	STATE	DESCRIPTION
Green	On	Device is receiving correct input power
Green	Off	Device is not powered

Table 7 **Power LED Status**

#### 3.5.2 STATUS LED 1

LED COLOR	STATE	DESCRIPTION
Red	On	Error detected
Green	On	Normal operation
Green	Off	U-Boot and self testing executed
Green	Blinking	Resetting to factory settings
Red/Green	Blinking	Executing emergency system

Table 8 **Status LED 1**

#### 3.5.3 STATUS LED 2

LED COLOR	STATE	DESCRIPTION
Red	Off	Not used
Green	Off	Not used

Table 9 **Status LED 2**

### 3.5.4 MODULE 1-4 LED STATUS

LED COLOR	STATE	DESCRIPTION
Green	On	Indicates module N (1..4) is in use
Green	Blinking	Indicates data transfer on module N (1..4)
Green	Off	Indicates module N (1..4) is inactive

Table 10 **Module 1-4 LED Status**

### 3.5.5 LAN LED (100 M | 1000 M) STATUS

1 GBIT (GREEN)	LINK/ACT (YELLOW)	DESCRIPTION
On	On	1 Gbit link established
Off	Off	No link
On	Off	10/100 Mbit link established
Blinking	Off	10/100 Mbit link established and active
Blinking	On	1 Gbit link established and active

Table 11 **LAN LED Status**

## 3.6 RESET SWITCH

The CyBox GW 2-P is equipped with a hidden reset switch behind the front panel, close to the LEDs. The button is accessible with a straightened paper clip pushed through the little hole on the front panel. The effect of pressing the reset switch depends on the duration of its activation, as indicated in Table 12 below. The time response is valid only if the device has completely booted (after approx. 1 min). While the device is booting or executing U-Boot, pushing the button will always reset the device.

The following table describes the functions of the reset switch.

HOLD TIME	FAIL LED BEHAVIOR	ACTION
< 2 seconds	Off	Reset after release
2-5 seconds	Off	No action
> 5 seconds	Green blinking	Remove custom configuration then reset

Table 12 **Reset Switch Behavior**

### 3.7 SIM CARDS

The Cybox GW 2-P provides 4 SIM slots per 5G/LTE modem. Only one slot per modem can be active at any time. To install SIM cards the back panel of the CyBox GW 2-P has to be removed using a suitable torx 10 screwdriver. After installing the SIM cards the back panel must be closed and the screws tightened to a maximum torque of 0.55 Nm. The indexing of SIM slots is software dependent and can be selected via an SNMP command or using the web interface.

**Note:** Switching between SIM slots takes about 30 seconds, slot 1 being preselected at power up.

If you plan to use only one SIM card for a given 5G/LTE modem it is advisable to use slot 1 to avoid slot switching delay during booting.

Figure 4 shows the SIM slot assignment per modem.

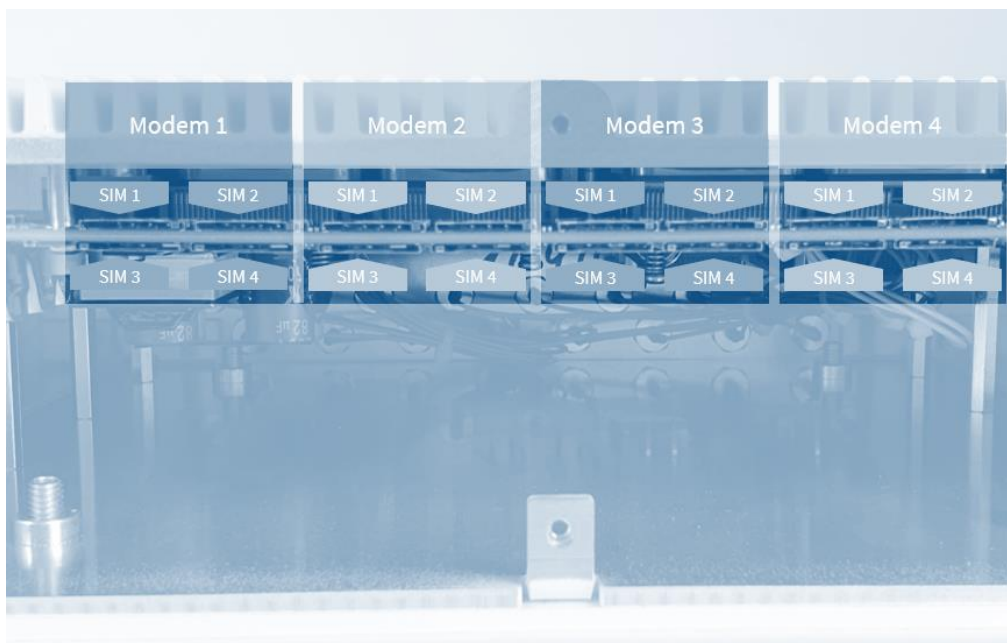


Figure 4 **SIM Slot Assignment per Modem**

**Important:** Do not change the SIM cards when the device is powered since there is a danger of touching the main voltage when the device is open.

## 4 MOUNTING

When mounting the CyBox GW 2-P please take the following aspects into account.

- Do not install the device close to any sources of heat such as radiators or heat registers.
- Keep the device away from any liquids and avoid exposure to dripping or splashing. The protection class of the housing is IP40.
- Keep a free space of at least 150 mm around the housing to ensure adequate heat dissipation capabilities.
- For optimal heat dissipation the connectors should face down.
- The housing provides four mounting cutouts to install the device in horizontal or vertical orientation on a flat and stable surface.
- For fixation use M6 screws of sufficient length with additional M6 washers.

Figure 5 shows the outer dimensions of the housing including the position of the mounting cutouts.

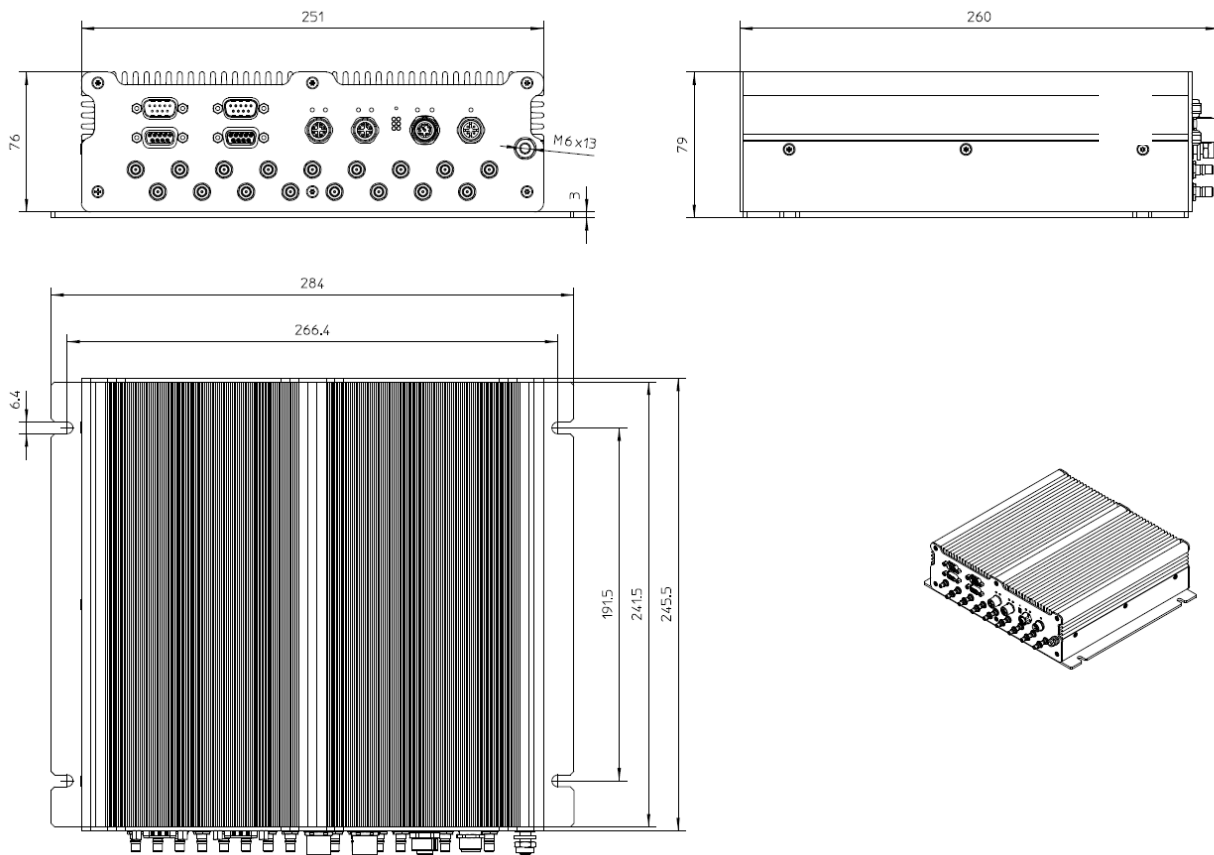


Figure 5 **Dimensions of the Housing**

## 4.1 CONNECTING AN EARTHING CABLE

A M6 earthing stud on the front panel of the device (also refer to Figure 1) for protective earth connection is essential for the device security. Carry out the following steps to connect an earthing cable:

- Use an earthing cable with a cross-section of at least 2.5 mm<sup>2</sup> and a wire end sleeve with eyelet suitable for a 6 mm threaded bolt.
- Mount the earth cable as shown in Figure 6.
- Fasten the cable by tightening the nut to the required torque (recommended according to EN 60947-1 are 3 Nm).

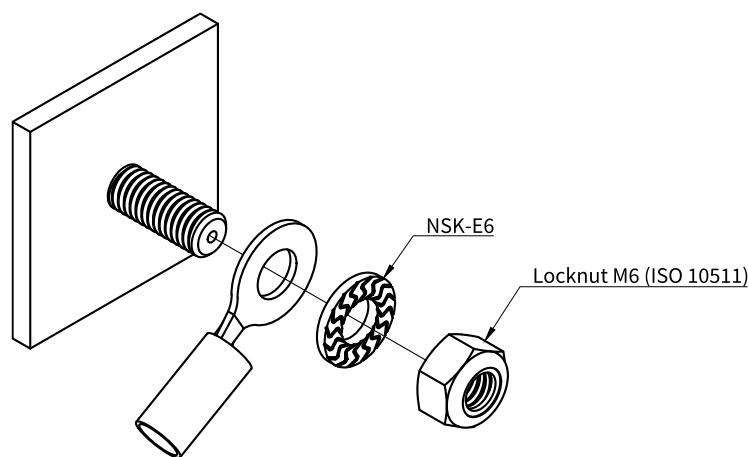


Figure 6 **Earth Cable Mounting on Earth Stud**

## 4.2 ELECTRICAL CONNECTION

1. Make sure the device is properly grounded.
2. Establish a connection to the network by plugging a M12 patch cable to one of the front panel M12 connectors. Each LAN port may be used if the gateway is supplied by a local power supply through the power supply connector.
3. Connect the desired number of antennas to the device. Each radio/modem can use up to four antennas for maximal performance.
4. In case of using a local power supply the appropriate wiring (see Table 1 ) must be established to connect the power line to the device.
5. Make sure that the voltage of the power supply conforms to the voltage on the type plate.
6. Ensure that the power supply is grounded correctly and that the power cable is intact and undamaged. Do not switch on the system if there are damages on the power cable or plug.
7. Use power cables which are approved for the power supply in your country.
8. The device itself has no on/off switch, it starts as soon as it is supplied with power.