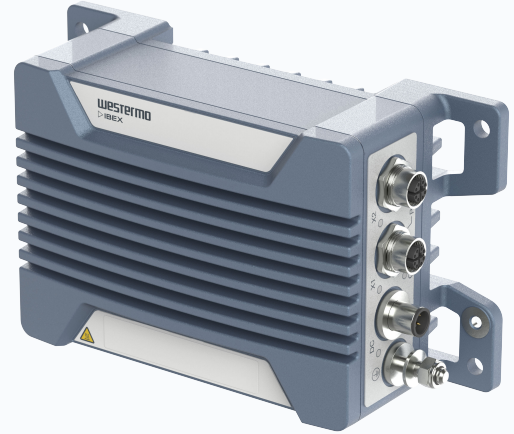


EN 50155 Wi-Fi 6 Access Point

Ibex-1510 series

- **Reliable, compact and secure WLAN access point**
 - Dual Wi-Fi 6 802.11ax WLAN interfaces
 - Concurrent 2.4 GHz and 5 GHz
 - Low power consumption
 - Cybersecurity features supporting critical infrastructure installations
- **Designed for onboard usage**
 - EN 50155 and EN 45545-2 certified
 - Compact design with M12 interfaces
 - IP66 and -40° - +70°C operating range
- **Latest generation 802.11 design**
 - IEEE 802.11ax for maximum efficiency
 - Client management features
 - Flexible and easy setup



The Ibex-1510 is a concurrent dual-band 802.11ax Wi-Fi 6 access point and client product for onboard and stationary applications. It provides reliable efficient high-speed data transfers, airtime fairness, band steering, client steering and multi-AP steering. This enables optimized use for passenger hotspot applications, remote maintenance access, data offloading or it can be part of a TCMS network.

The Ibex-1510 is designed to withstand the tough environment on-board trains, exposed to constant vibration, extreme temperatures, humidity and a demanding electromagnetic environment.

A GORE-TEX® membrane prevents internal condensation. High-level isolation between all interfaces enables direct connectivity to vehicle auxiliary power and protects against overvoltage and spikes/surge. IP66 protection prevents ingress of water and dust even at the quick connect QMA connectors.

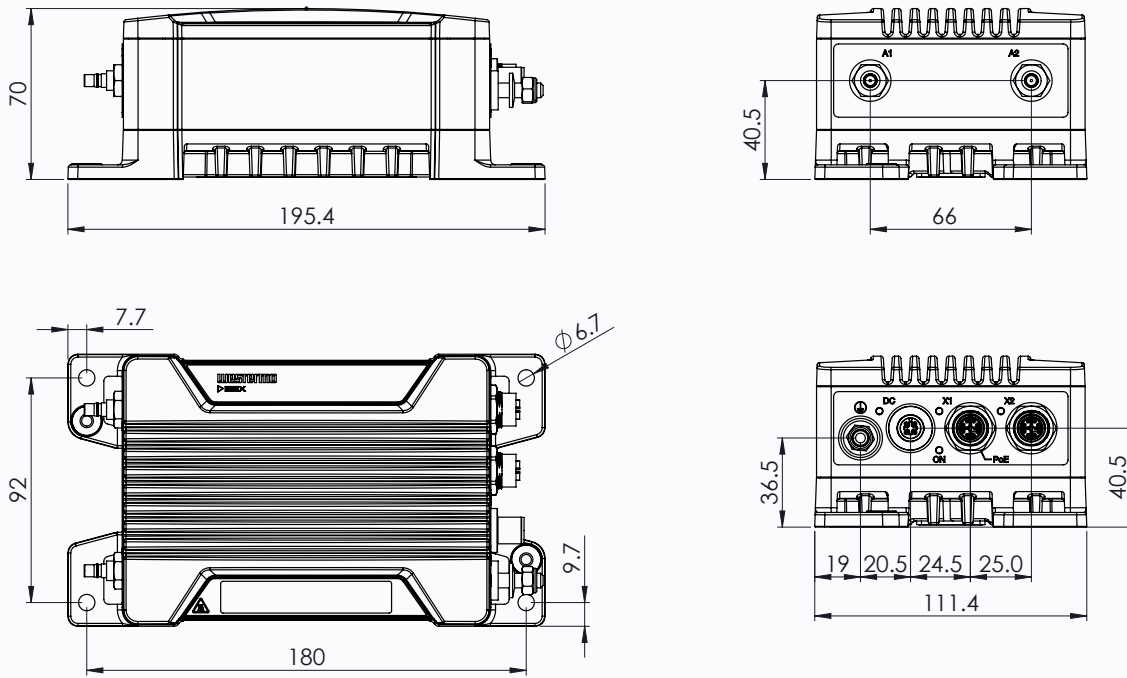
An overall optimised design results in a compact form factor in combination with very high MTBF for easy integration in space restricted installations and low lifecycle cost.

Thorough type testing at independent labs certifies the compliance to a wide range of standards, including EN 50155.

The Ibex-1510 is running Westermo's robust and easy to use Linux based IbexOS operating system with latest cybersecurity features and updates.

Specifications - Ibex-1510 series

Dimensional drawing



Technical data

Dimensions (W x H x D)	195 x 70 x 111 mm (7.68 x 2.76 x 4.37 inches)
Housing	Full metal
Weight	1.45 kg without antennas
Operating temperature	-40 to +70°C (-40 to +158°F)
Ingress protection	IP66
MTBF	424.000 hours 538.000 hours (PoE only)
Rated voltage^a	24 to 110 VDC or PoE IEEE 802.3 Class 4
Rated power	14 W
PoE	PoE Class 4 (IEEE 802.3at type 1 and 2 PD)

^aDC power supply not included in "PoE only" product variants

Interface

RF antenna	2 x QMA compatible antenna connector for Wi-Fi 6 2.4 GHz and 5 GHz (combiner)
Ethernet	2 x 10/100/1000/2.5G Base-T with M12 X-coded connectors

Wireless

Operating modes	Access Point, Client, Bridge
Interfaces	Dual-Band Concurrent 2x2 MU-MIMO (total 4 Spatial Streams)
Standards supported	IEEE 802.11b, 802.11g, 802.11a, 802.11n, 802.11ac, 802.11ax
Frequency range	2.400 to 2.4835 GHz (2x2 MU-MIMO) 5.150 to 5.350 GHz, 5.470 to 5.725 GHz, 5.725 to 5.875 GHz (2x2 MU-MIMO)
Data rates supported	2.4 GHz: Up to 802.11ax 40 MHz 2SS BW HE11: 573 MBit/s 5 GHz: Up to 802.11ax 80 MHz 2SS BW HE11: 1201 MBit/s
RF transmit power 2.4 GHz^a	Max. conducted transmit power: 25 dBm, per port: 22 dBm
RF transmit power 5 GHz^a	Max. conducted transmit power: 25 dBm, per port: 22 dBm
Receiver sensitivity per radio^b	20 MHz: -94 dBm (HE0), -68 dBm (HE9), -63 dBm (HE11) 40 MHz: -91 dBm (HE0), -65 dBm (HE9), -61 dBm (HE11) 80 MHz: -88 dBm (HE0), -63 dBm (HE9), -58 dBm (HE11)

^aDepending on the regulatory limitations and selected antennas

^bTypical, all antenna chains connected, temperature 25° C

Features	
Security	Wi-Fi Security Open, WPA2-Personal (CCMP), WPA2-Enterprise, WPA3-Personal (SAE/OWE), WPA3-Enterprise (Suite-B), WPA2/3-Hybrid-Mode (SAE+PSK), 802.11w, 802.1X, Security Log (persistent)
Networking	Fixed fallback IP, IP Aliases, MAC override, 802.1Q VLAN support, Interface Port Protection, Routing Static/Policy/Multicast, Multi WAN support, CARP, DHCP Server/Client/Relay, DNS Server/Client, NTP Server/Client, RSTP, Firewall Filter/Mangle (L2 stateless/L3 stateful), IP Masquerading (NAT/NAPT), Port Forwarding (DNAT/SNAT), Stateless NAT (1-1 NAT)
Wireless	Up to 8 SSID assignments per radio, up to 512 client connections per radio, SSID Hide, AP Client Isolation, 802.11e (WME/WMM), 802.11r, 4addr, 802.1p QoS (L2/L3 mapping), Access Control (ACL), Automated Channel Selection (ACS), static/dynamic VLAN per SSID, BSSID override
VPN	SSL Server/Client, IPsec, OpenVPN Client, Wireguard, GRE/GRETAP, VXLAN
Discovery	LLDP, SSDP, mDNS
Client management	ATF (Air Time Fairness), Client Steering and Load Balancing between 2.4 GHz and 5 GHz, Multi-AP Client Steering, 802.11k, 802.11v
Monitoring	Built-in monitoring sensors and diagnostics, SNMP notifications (TRAP/INFO), Syslog, CLI
Management	SNMP v2c/v3 with USM authentication and encryption support, HTTP/HTTPS web interface and WebAPI with user authentication (local or LDAP), CLI (SSH and Telnet), Certificate Management (SCEP), Dual Firmware Primary/Backup
SNMP MIB Support	MIB-2, RFC1213, HOST-RESOURCES, BRIDGE, ETHERLIKE, IF-MIB, LLDP-MIB, UCD-SNMP-MIB, WESTERMO-SW6-MIB, WESTERMO-SW6-BRIDGE-MIB, WESTERMO-SW6-FIREWALL-MIB, WESTERMO-SW6-ICL-MIB, WESTERMO-SW6-NWM-MIB, WESTERMO-SW6-PWN-MIB

Approvals and Standards	
Climate	<ul style="list-style-type: none"> EN 50155, class OT4 Railway applications - Electronic equipment used on rolling stock
EMC	<ul style="list-style-type: none"> EN 50155, Railway applications - Electronic equipment used on rolling stock EN 50121-3-2, Railway applications - Electromagnetic compatibility, Part 3-2: Rolling stock - Apparatus ETSI EN 301 489-1, Electromagnetic compatibility (EMC) and Radio spectrum Matters (ERM) for radio equipment and services - Part 1: Common technical requirements ETSI EN 301 489-17, Electromagnetic compatibility (EMC) and Radio spectrum Matters (ERM) for radio equipment - Part 17: Specific conditions for Broadband Data Transmission Systems
Mechanical (Shock and vibration)	<ul style="list-style-type: none"> EN 61373, category 1, class B
Insulation (Coordination and test)	<ul style="list-style-type: none"> EN 50155, Railway applications - Electronic equipment used on rolling stock
Radio communication	<ul style="list-style-type: none"> ETSI EN 300 328, Wideband transmission systems; Data transmission equipment operating in the 2.4 GHz ISM band and using wide band modulation techniques ETSI EN 301 893, 5 GHz RLAN ETSI EN 300 440, 5.8GHz, Short Range Devices IEEE802.11, Wireless LAN Medium Access Control (MAC) and Physical Layer (PHY) Specifications FCC-47-15, Radio frequency devices
Safety	<ul style="list-style-type: none"> EN/IEC 61010-1, Safety requirements for electrical equipment for measurement, control, and laboratory use EN 45545-2, Fire protection on railway vehicles

Ordering information		
Art. no.	Model	Description
3628-15101	Ibex-1510-T2G2.5 EU	Dual EN 50155 Wi-Fi 6 Access Point, 24...110 VDC, PoE PD
3628-15102	Ibex-1510-T2G2.5 NA	Dual EN 50155 Wi-Fi 6 Access Point, 24...110 VDC, PoE PD
3628-15111	Ibex-1510-T2G2.5-PoE EU	Dual EN 50155 Wi-Fi 6 Access Point, PoE PD
3628-15112	Ibex-1510-T2G2.5-PoE NA	Dual EN 50155 Wi-Fi 6 Access Point, PoE PD
3623-0799	Factory Reset Plug X-code	Accessory