

## EN 50155 Managed Routing Switch Viper 3520-PPC

- **Compact 20 port routing switch, approved for rolling stock**
  - IEC standard push-pull M12 connectors
  - Up to 4 x 1 Gbps ports
  - Single model 24-110 VDC ( $\pm 30\%$ ) input voltage
- **Designed and built for extreme operational environments**
  - Robustness-enhancing design features
  - Extensive range of approvals, by IEC/ISO 17025 certified laboratories
  - Quality-focused engineering and production located in Sweden
- **Powered by WeOS, Westermo's proven network operating system**
  - Strong set of protocols and functions, DHCP (server and client) and VRRP
  - High level cybersecurity - IEC 62443-4-2 SL2 certified
  - Easy to use



The Viper 3520-PPC is a managed 20 port routing switch optimised for the needs of the railway rolling stock market.

It is designed to withstand the tough environment on-board trains, exposing the switch to constant vibration, extreme temperatures, humidity and a demanding electrical environment.

Push-pull connectors that comply with the IEC 61076-2-010 standard offer the advantage of faster installation without requiring tools, while also remaining compatible with M12 threaded connectors.

A GORE-TEX® membrane prevents internal condensation. Threading and push-pull locking integrated in chassis provides for additional vibration resistance. High-level isolation between all interfaces enables direct connectivity to vehicle auxiliary power and protects against overvoltage and flashover. IP67 protection prevents ingress of water and dust. An overall optimised design results in an extremely compact package in combination with very high MTBF for easy integration and low lifecycle cost.

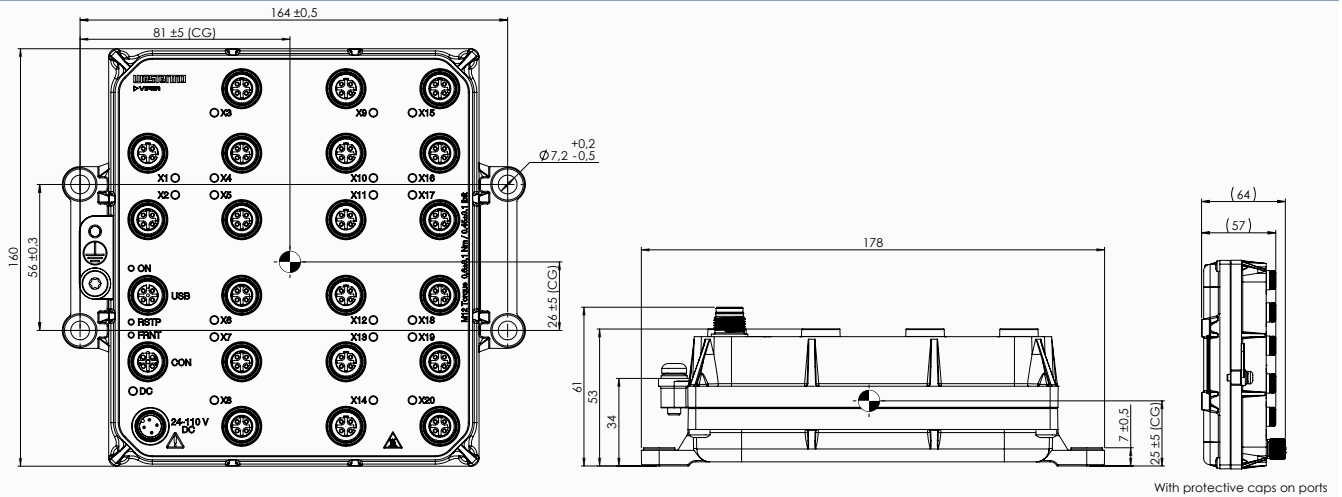
Thorough type testing at independent ISO/IEC 17025 and ILAC MRA certified labs, accredited to a wide range of standards, show that the Viper series fulfills EN 50155 and other requirements. The state-of-the-art Westermo production facility ensures the quality of each individual unit, e.g. through temperature cycling burn-in testing.

The WeOS operating system offers an extensive suite of IP networking features for resilient and flexible networks, e.g. the FRNT ring protocol with very fast failover. The backup device accessory matches the Viper in robustness and offers easy configuration update and backup.

Meeting the requirements of the railcar market, the Viper 3520-PPC series is very well suited for deployment in any other application with severe operating conditions and tough environments, for instance in the mining industry.

# Specifications - Viper 3520-PPC

## Dimensional drawing



## Technical data

Dimensions (W x H x D)	178 x 160 x 61 mm (7.01 x 6.30 x 2.40 inches)
Weight	1.6 kg
Housing	Full metal
Rated voltage	24 to 110 VDC
Operating voltage	16.8 to 143 VDC (14.4 VDC for 100 ms and 154 VDC for 1 s)
Power interruption	Class S2 (10 ms hold-up)
Operating temperature	-40 to +70°C (-40 to +158°F) (+85°C for a limited time)
Storage and transport temperatures	-55 to +85°C (-67 to +185°F)
Ingress protection	IP67
Humidity (operating)	5-95% relative humidity, operational, storage and transport
Altitude	2000 m/80 kPa

## Rated current

Max at 24 VDC	670 mA
Max at 110 VDC	160 mA

## Interface

	Viper-3520(-E)-T20-PPC	Viper-3520(-E)-T4G-T16-PPC
Ethernet 1 Gbps (X-coded)	-	4
Ethernet 100 Mbps (D-coded)	20	16
Backup and restore port	1	1
Console port (RS-232, B-coded)	1	1

## MTBF

	Viper-3520(-E)-T20	Viper-3520(-E)-T4G-T16
MIL-HDBK-217F2	530,000 h	522,000 h
IEC 62380	421,000 h	414,000 h

Type	Approval/Compliance
Connectors	<ul style="list-style-type: none"> <li>IEC 61076-2-010, Connectors for electrical and electronic equipment - Product requirements - Circular connectors (push-pull)</li> </ul>
Climate	<ul style="list-style-type: none"> <li>EN 50155 class OT4 / IEC 60571 class TX, Railway applications - Electronic equipment used on rolling stock</li> <li>IEEE 1478 class 1, condition E4 (incl Salt Mist), Environmental conditions for transit rail car electronic equipment</li> </ul>
EMC	<ul style="list-style-type: none"> <li>EN/IEC 61000-6-2, Immunity industrial environments</li> <li>EN/IEC 61000-6-4, Emission industrial environments</li> <li>EN 50121-4/IEC 62236-4, Railway signalling and telecommunications apparatus</li> <li>EN 50121-3-2/IEC 62236-3-2 Railway applications - Rolling stock - apparatus</li> <li>Tested and verified for Class S1, DB EMC Regulation 06, Commodity team Radio compatibility in VDB Rev 1.0 (Shunting Radio)</li> <li>Tested and verified for FCC part 15b class A (CFR 47)</li> </ul>
Mechanical (Shock and vibration)	<ul style="list-style-type: none"> <li>EN 61373 category 1, class A and B</li> </ul>
Insulation (Coordination and test)	<ul style="list-style-type: none"> <li>EN 50124-1, Railway applications - Insulation coordination</li> <li>EN 50155/IEC 60571, Railway applications - Electronic equipment used on rolling stock</li> </ul>
Fire protection	<ul style="list-style-type: none"> <li>EN 45545-2, Fire protection on railway vehicles</li> <li>NFPA 130, Fire protection for fixed guideway transit and passenger rail system</li> </ul>
Cybersecurity	<ul style="list-style-type: none"> <li>IEC 62443-4-2 SL2, Security for industrial automation and control systems</li> </ul>
Software	<ul style="list-style-type: none"> <li>EN 50657:2017 Software Onboard Rolling Stock (Basic Integrity)</li> </ul>
Safety	<ul style="list-style-type: none"> <li>EN/IEC/UL 61010-1, -2-201, Safety requirements for electrical equipment for measurement, control, and laboratory use</li> </ul>

Software	
WeOS	WeOS 5; <a href="http://westermo.com/solutions/weos">westermo.com/solutions/weos</a>
WeConfig	<a href="http://westermo.com/solutions/weconfig">westermo.com/solutions/weconfig</a>

Warranty	
Validity	5 years, optional extension available

Art.no.	Product	Functionality
3635-0930	Viper-3520-T20-PPC	Layer 2
3635-1230	Viper-3520-T4G-T16-PPC	Layer 2
3635-0940	Viper-3520-E-T20-PPC	Layer 3
3635-1240	Viper-3520-E-T4G-T16-PPC	Layer 3

Accessories	
3641-0190	M12 USB configuration backup device
3641-7190	M12 USB configuration backup device with attachment strap
3146-11xx	Patch and power cables, see <a href="http://www.westermo.com">www.westermo.com</a>
1211-4073	Console cable

## Specification WeOS 5

The WeOS operating system has been developed by Westermo for its current as well as future range of Ethernet hardware products. This layer 2 and layer 3 switching solution enables Westermo to create complex multimedia ring networks and routing solutions. WeOS not only provides solutions to many challenging industrial networking issues, but also helps to protect investments by ensuring the future availability of fully compatible solutions. WeOS is the core of our latest ranges of Ethernet hardware allowing complex multimedia ring networks and routing solutions to be created.

Westermo has many years of experience developing products for industrial applications. At the heart of all Westermo networking solutions is the need for ease of use. By standardising on a single operating system for all Westermo Ethernet products this helps to simplify the installation, operation and maintenance of individual devices and complete networks. Once a user is familiar with a Westermo product, that knowledge can be readily applied to all our other devices. A web screen simplifies the configuration of many functions, whilst a command line interface allows for fine tuning.

WeOS Standard - Layer 2 protocols and functionality
<b>Resilience and High Availability</b> FRNTv0/v2 flexible ring topologies (multiring, subrings and ring coupling), IEEE 802.1D/802.1w (RSTP), IEEE 802.1AX/802.3ad Link Aggregation (LACP and Static), IEC 62439-2 Media Redundancy Protocol (MRP; single instance or dual instances at MRP master) <sup>a</sup> .
<b>Layer 2 Switching</b> IEEE 802.1D MAC Bridges, IEEE 802.1Q Static VLAN and VLAN Tagging, Q-in-Q Tunnelling, IEEE 802.1AB LLDP, IGMPv1/v2/v3 Snooping, Static Multicast MAC filters, MLDv1/v2 Snooping
<b>Layer 2 QoS</b> IEEE 802.1p Class of Service with flexible classification (VLAN tag priority, IP DSCP/ToS, Port ID), MAC Authentication, IEEE 802.1X Port Access Control, Ingress and Egress Rate limiting
<b>IP Host Services</b> Static IPv4/v6 Address, DHCP Client, DNS Client, DDNS, ZeroConf (mDNS and SSDP), NTP Client (NTPv4), IPv4/v6 Interfaces (Ethernet, VLAN, Loopback and Blackhole)
<b>Network Servers</b> DHCP Server (including options 1, 3, 6, 7, 12, 15, 42, 61, 66, 68 and 82), DHCP Relay Agent (including options 54 and 82), DNS Proxy Server (DNS forwarder and Host records), NTP client/server (NTPv4)
<b>Management Tools</b> Westermo configuration tool WeConfig, Web interface (HTTP and HTTPS), Command Line Interface (CLI) via console port, SSHv2 and Telnet, Local and Central Authentication (RADIUS/TACACS+), Role Based Access Control (RBAC), Password Compliance Policy, SNMPv1/v2c/v3, Secure Copy (SCP) for remote file upload and download, Local file management (via HTTP, FTP, TFTP and SCP), Tech support button, Flexible alarm and event handling system, RFC5424/RFC3164 Syslog (log files and remote syslog server), Port monitoring
<b>SNMP MIB Support (read-only)</b> RFC 1213 MIB-2, RFC 2819 RMON MIB, RFC 2863 Interface MIB, RFC 3433 Entity Sensor MIB, RFC 3635 Ether-like Interface MIB, RFC 4133 Entity MIB, RFC 4188 Bridge MIB, RFC 4318 RSTP MIB, RFC 4363 Q-BRIDGE MIB, RFC 4836 MAU MIB, IEEE 802.1AB LLDP MIB, IEEE 802.1AX LAG MIB, IEC 62439-2 MRP MIB, WESTERMO-EVENT MIB, WESTERMO-FRNT MIB, WESTERMO-INTERFACE MIB, WESTERMO-TCN MIB

<sup>a</sup> Available as add-on-function. Please see your local Westermo sales contact to purchase a license for your product.

WeOS Extended - Layer 3 protocols and functionality <sup>a</sup>
<b>IP Host Services</b> IP Interfaces (SSL, VPN, GRE)
<b>IP Routing and VPN</b> Static IP Routing, Floating Static Routes, Multinetting, Proxy ARP, Dynamic IP routing (OSPFv2, RIPv1/v2), VRRPv2/v3, Protocol Independent Multicast - Sparse-Mode (PIM-SM), Static Multicast Routing, Stateful Inspection Firewall, Firewall Hit Counters, IP Masquerading (NAT/NAPT), Port Forwarding, Stateless NAT (1-1 NAT), IPsec VPN (IKEv2 PSK), SSL VPN (Client and Server, Certificate Authentication, Pre-shared Key (PSK) Point-to-Point Mode, Layer-2 and Layer-3 VPN, Layer-2 VPN bridging, Address pool and address per CN, TLS Authentication), Generic Routing Encapsulation (GRE), Policy Based Routing, Equal-Cost Multi-Path (ECMP), OpenVPN Multipath TCP (MPTCP), Route monitor
<b>SNMP MIB Support (read-only)</b> RFC 2787 VRRPv2 MIB, RFC 6527 VRRPv3 MIB

<sup>a</sup> Products with software level WeOS Extended include all functionality listed for WeOS Standard