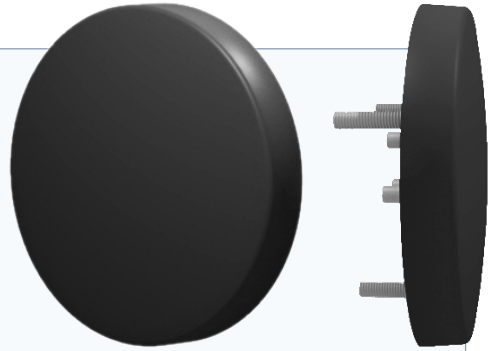


Inter-Consist Link Antenna 5 GHz

ICL-5



- ⌘ Optimised for Inter-Consist Link
 - Together with Westermo WLAN radios provide the ultimate ICL solution
 - Easy cable replacement for inter-consist networks
- ⌘ High performance and robust link
 - 3x3 MIMO
 - Clever algorithms for the optimal use of radio channels and redundant links
 - ICL optimised beam shape
 - Designed for short-range application
 - Up to 450 Mbps
- ⌘ Built for tough environments
 - EN 50155 compliant
 - IP67 and IP69K for outside mounting e.g. near train coupler

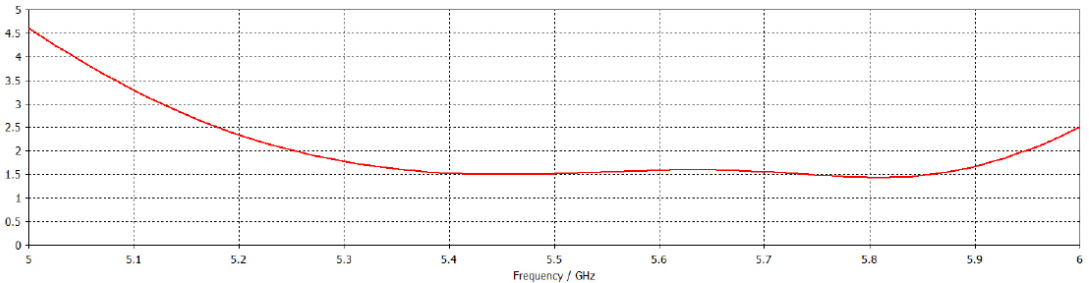


The Westermo ICL-5 short-range inter-consist antenna is tailor-made for high throughput short-range communication for inter-consist coupling in combination with Westermo radios. Unlike normal antennas, ICL antenna works without limitations in short range.

The ICL-5 antenna is designed to withstand the tough environment on-board trains exposing equipment to constant vibration, extreme temperatures, humidity, etc. Ingress protection of IP67 and IP69K, enables mounting outside the train body, e.g., near the train coupler.

Thorough type testing at independent labs certifies the compliance to standards such as EN 50155.

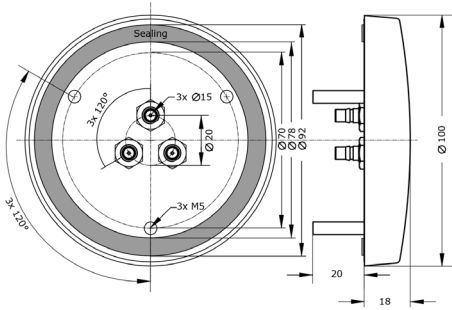
Matching Figures VSWR Plot _ All Ports



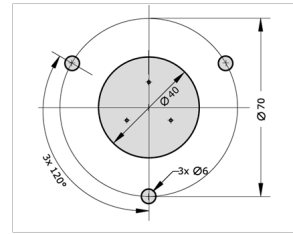
Ordering Information	
Art.no	Description
3623-0797	ICL-5, Inter Consist Link Antenna 5 GHz

Specifications ICL-5

Dimensional drawing



Drilling pattern



Mounting 3 x M5 bolts (torque 3.5 Nm)

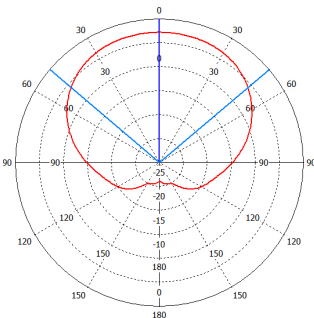
Technical data

Dimension D x H	100 mm x 18 mm without connectors and mounting bolts
Weight	185 g
Antenna type	Patch antenna
Operating frequency range	5.150 to 5.950 GHz
VSWR	Typ. ≤ 1.9, max 2.5
Gain max./average	Max: 4 dBi / Avg: 2 dBi
3 dB beamwidth (h) / (v)	H: 99° / V: 110°
Isolation between ports	>20 dB
Nominal Impedance	50 Ω
Connectors	3 x QMA (f)
Power max.	2W
Polarization	3 x linear
Ground-plane	Integrated
Lead-free soldered	Yes
Operating temperature	-40 to +85 °C (-40 to +185 °F)
Storage & transport temperature	-55 to +85 °C (-40 to +185 °F)
Flammability rating	UL 94 V-0
Solar radiation	UL 746C, F1
Ingress protection	IP67, IP69K

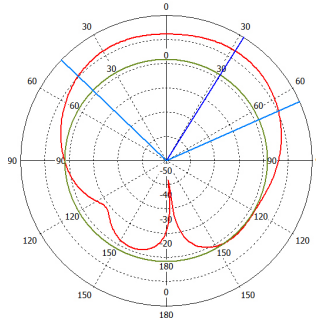
Approvals

On-board rail	EN 50155
Fire protection	EN 45545-2

2D Pattern - Horizontal - All Ports



2D Pattern - Vertical - All Ports



3D Pattern - All Ports

