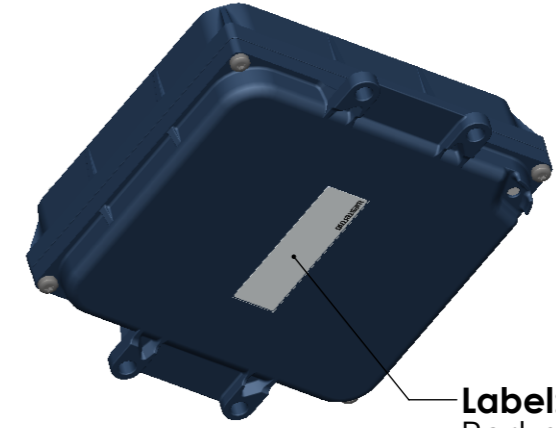
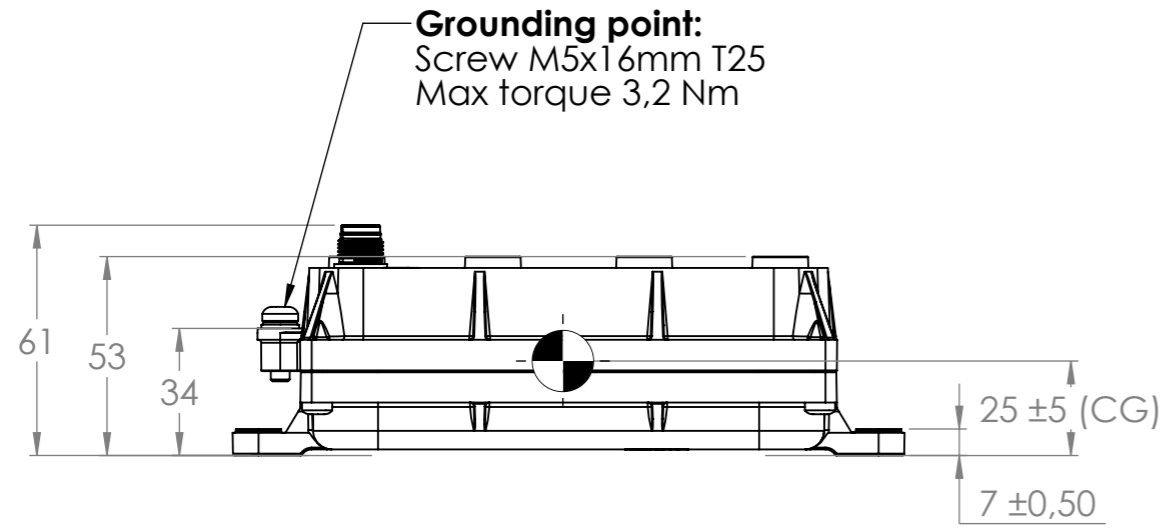
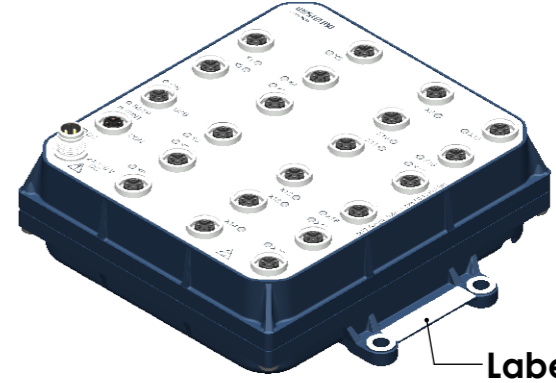
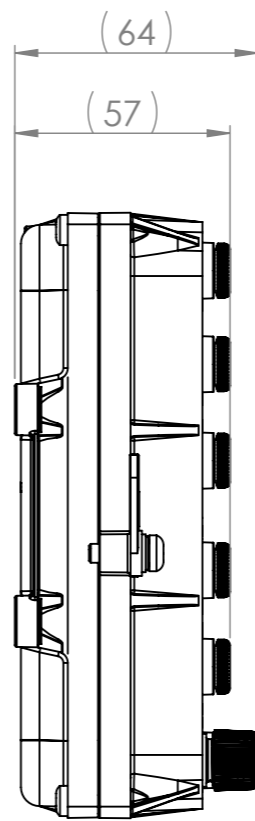
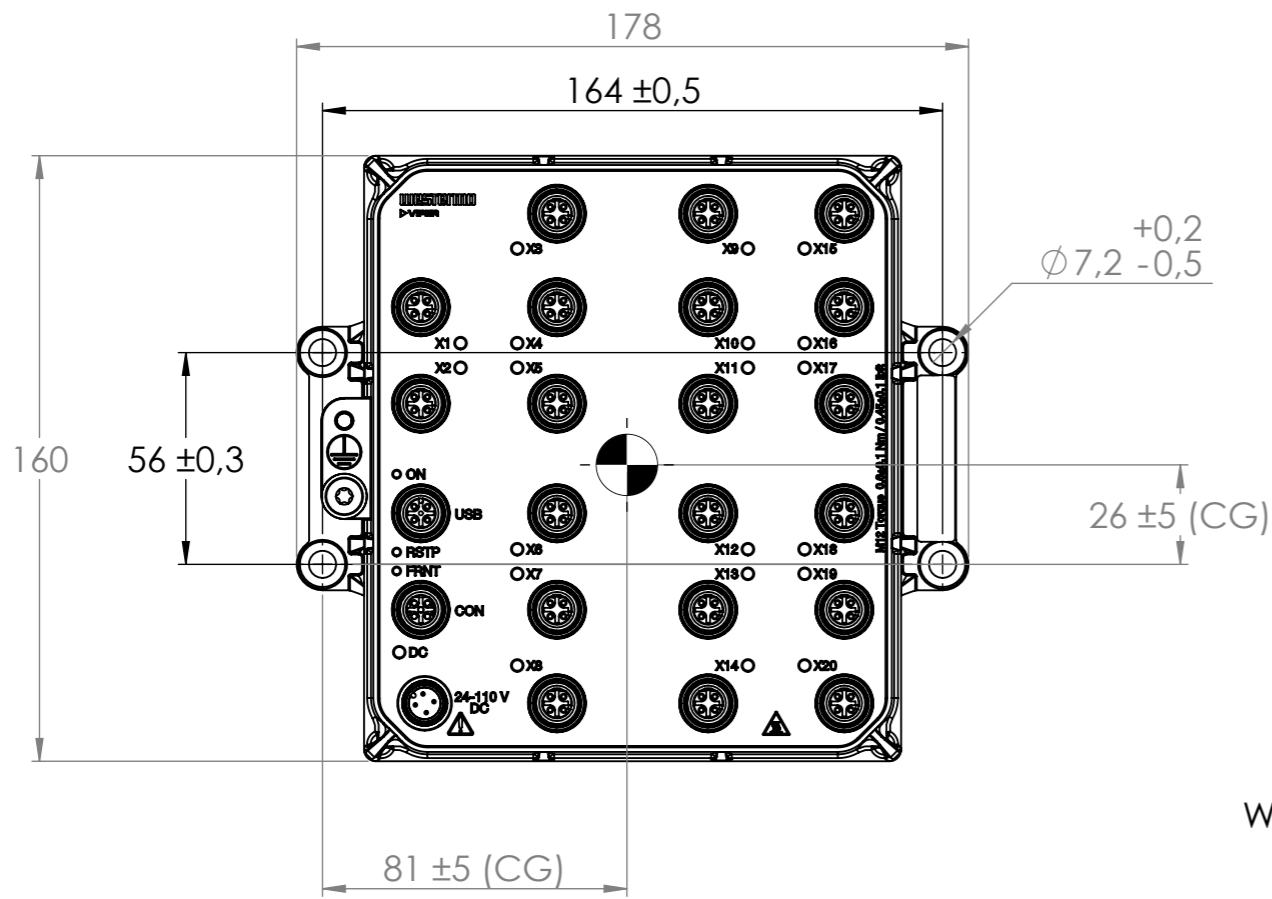


Dimensional Drawing

REVISIONS					
Rev	Description	Designed	Reviewed	Approved	Date
01	Created	KTN	KHM	KTN	2025-03-25



Label:
Part number (P/N)
Type
Power
MAC
Serial number (S/N)
2D-datamatrix (P/N, MAC, S/N)



Label:
Type
Part number (P/N)
Serial number (S/N)
2D-datamatrix (P/N, MAC, S/N)

With protective caps on ports

Weight: 1756 ± 20 g

Product list	
Part Number	Type
3635-0930	Viper-3520-T20-PPC

© 2025 Westermo Network Technologies AB - All rights reserved

	Denomination Viper-20A-PPC-BASE	Tolerance ± 2 mm		Designer KTN	Approved KTN	Date 2025-03-25	Scale 1:2	Sheet 1(1)
		Drawing No. 5100-0023-UD-01		Status Approved				