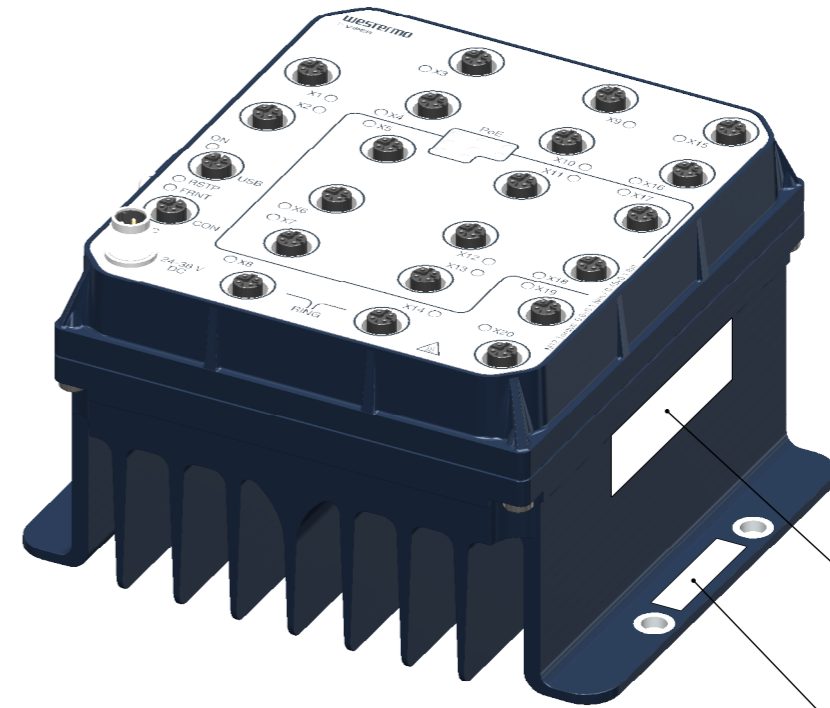


REVISIONS				
Rev	Description	Designer	Approved	Date
01	Created	KTN	KLI	2019-09-23
02	Change of product color and overlay	ODB	KLI	2020-06-25



Label: Product name, P/N, S/N, QR-code

Label: P/N, Type, Power, MAC, S/N, QR-code

Units in millimeter (mm)

	Material/Notes Denomination Viper-220A-P8-LV	Notes Tolerance ±1,5 mm	Designer	Approved	Date	Scale	Sheet
			ODB	KLI	2020-06-25	2:3	1(1)
Drawing No. 3635-1120-UD-02		Status Approved					