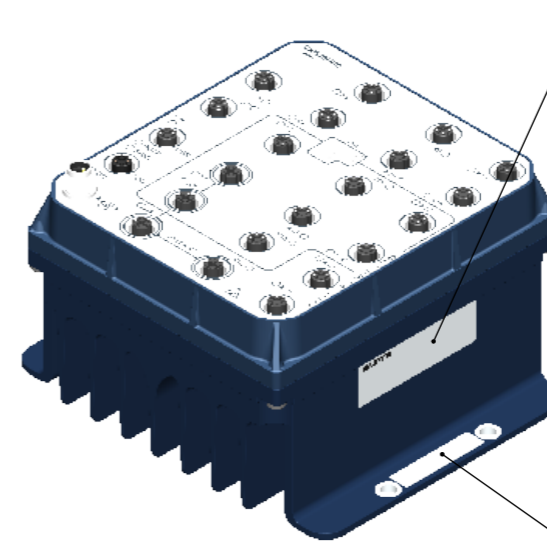
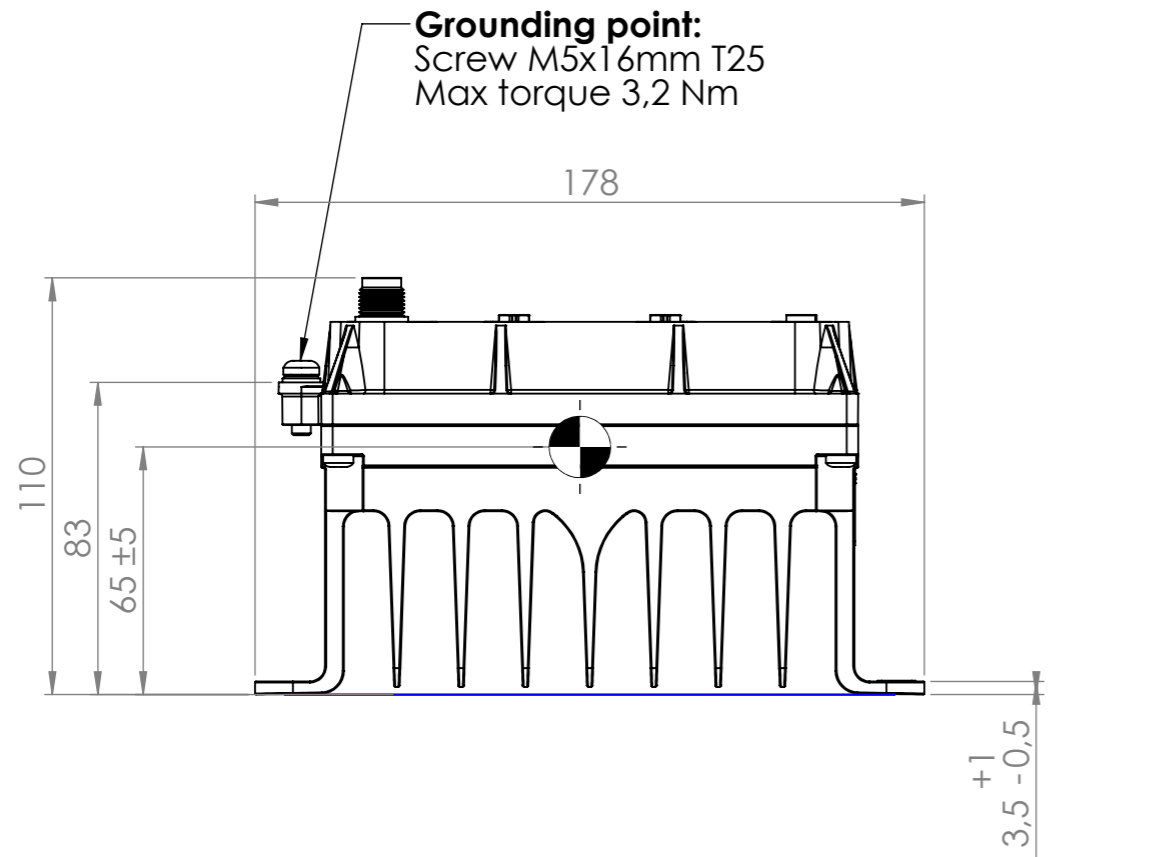


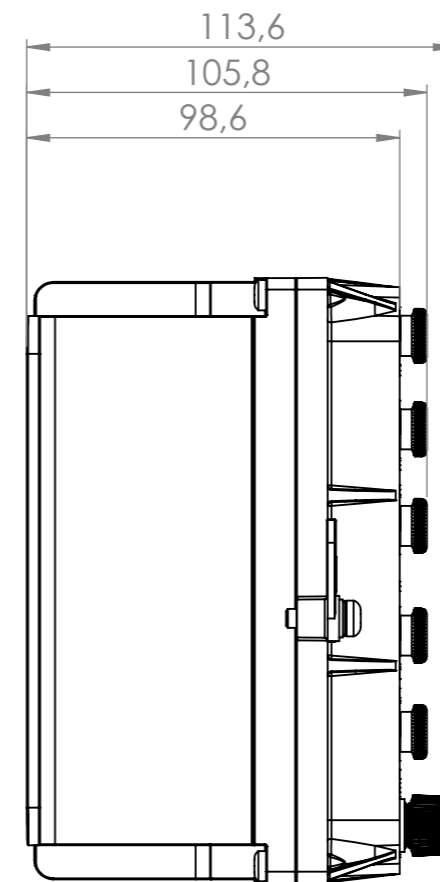
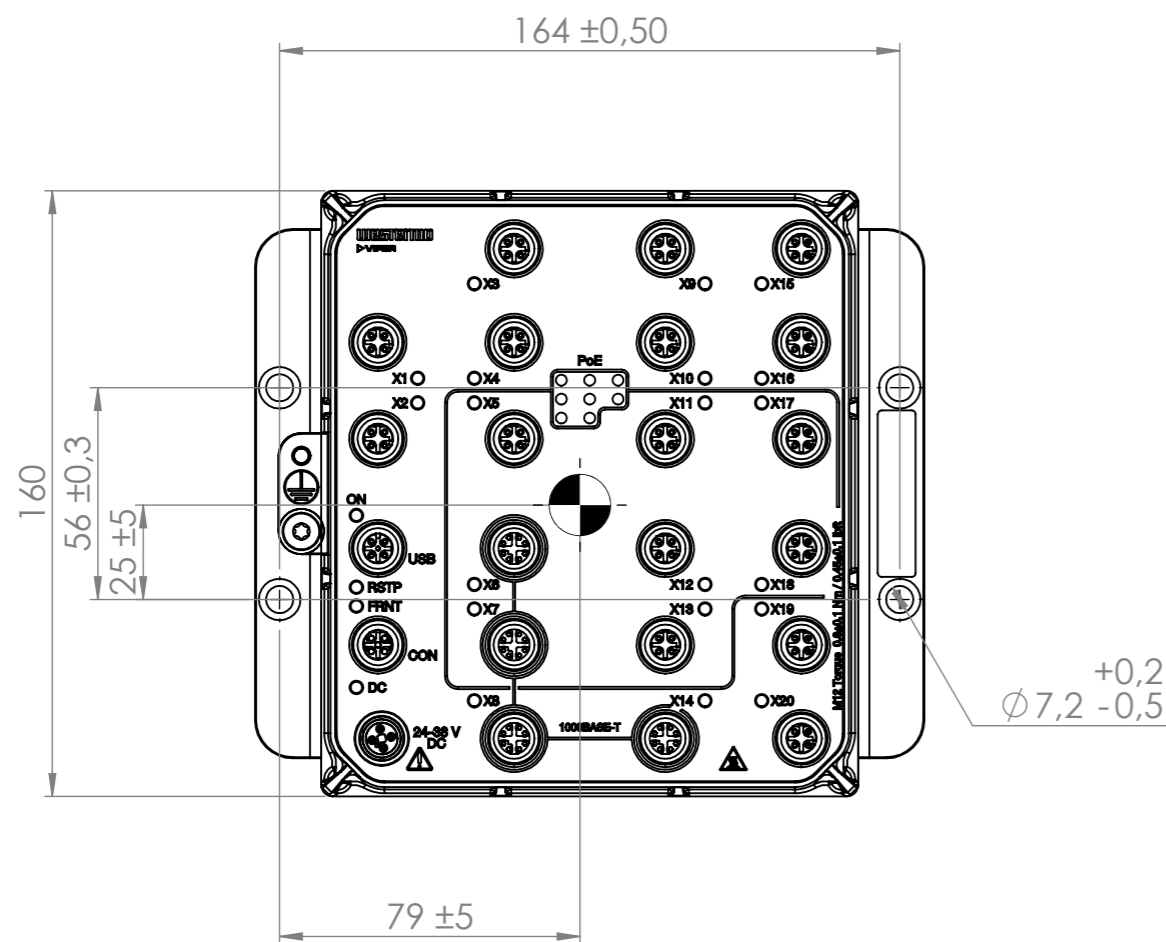
Dimensional Drawing

REVISIONS					
Rev	Description	Designed	Reviewed	Approved	Date
01		KHM	KTN	KTN	2025-02-18



Label:
Part number (P/N)
Type
Power
MAC
Serial number (S/N)
2D-datamatrix (P/N, MAC, S/N)

Label:
Type
Part number (P/N)
Serial number (S/N)
2D-datamatrix (P/N, MAC, S/N)



With protective caps on ports

Weight: 2324 ±20 g

Product list	
Part Number	Type
3635-1410	Viper-120A-T4G-P8-LV
3635-1415	Viper-3520-T2G-P2G-T10-P6-LV
3635-1420	Viper-220A-T4G-P8-LV
3635-1425	Viper-3520-E-T2G-P2G-T10-P6-LV

	Denomination Viper-20A-T4G-P8-LV-BASE	Tolerance ±2 mm		Scale 1:2	Sheet 1(1)
		Designer KHM	Approved KTN		
Drawing No. 5100-0005-UD-01					