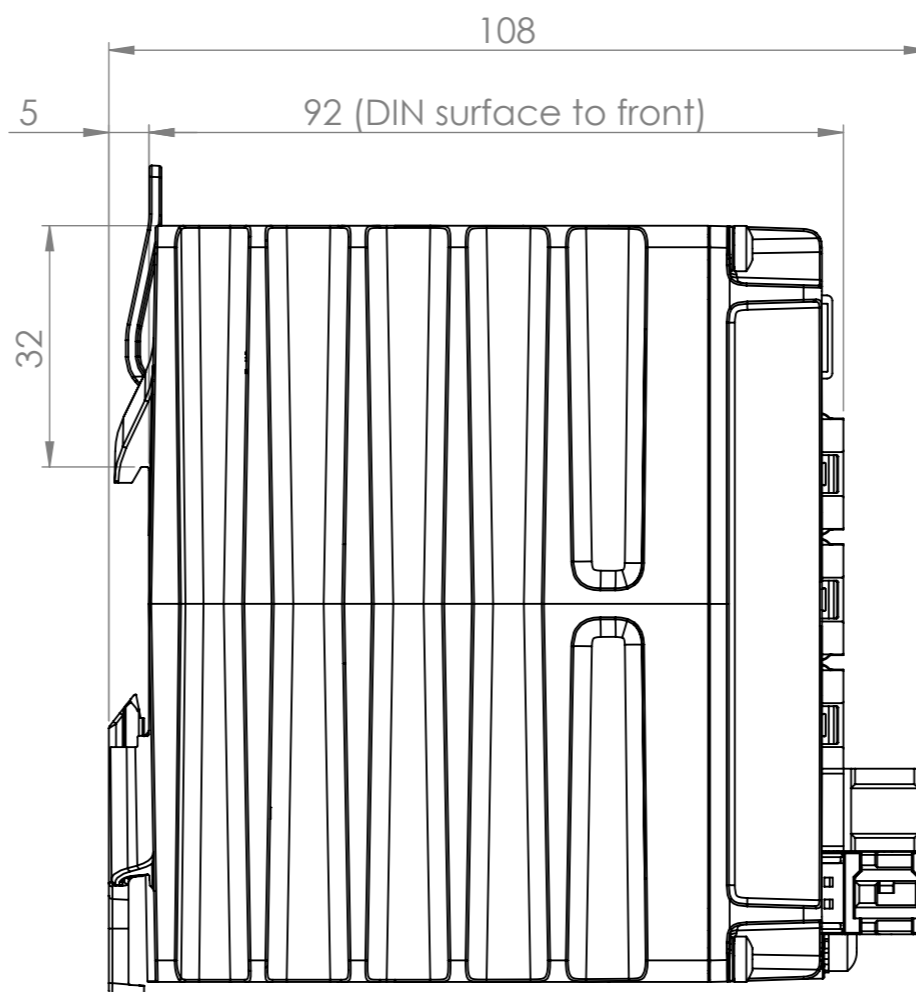
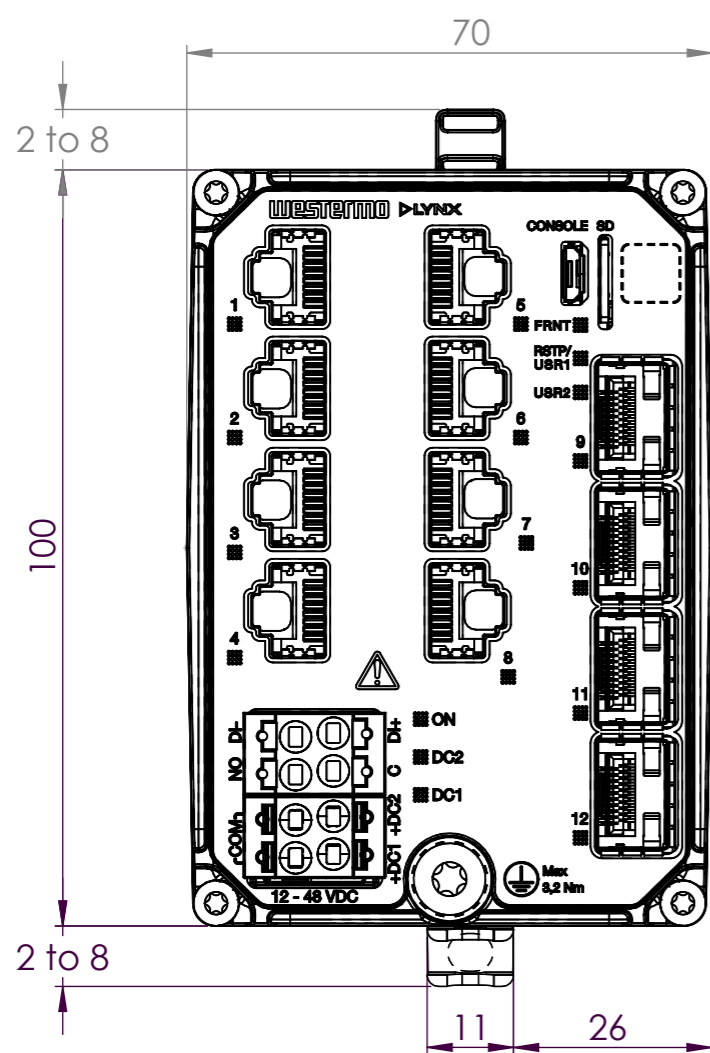
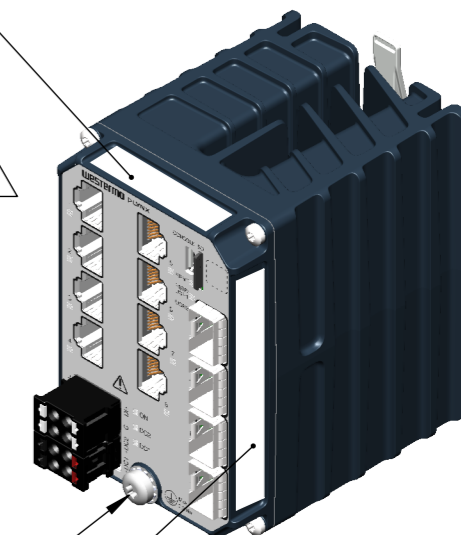


REVISIONS

Rev	Description	Designer	Approved	Date
01	Created	KTN	KLI	2020-04-16
01	Color changed and front panel updated	ODB	KLI	2020-05-14



Label: QR-Code



Ground Screw
M5x10 Torx T25

Label: Type, P/N, S/N, Power, MAC

Material/Notes		Notes		Tolerance	
		Dimensions in millimeters (mm)		±1 mm	
		Denomination		Designer	Approved
		Lynx 5612-F4G-T8G-LV		KTN	KTN
				Date	Scale
				2020-05-18	1:1
				Sheet	1(1)
				Status	
				Approved	
				Drawing No.	
				3643-0400-UD-01	