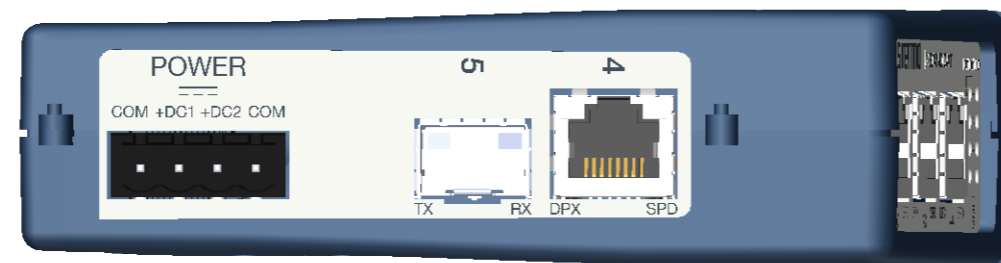
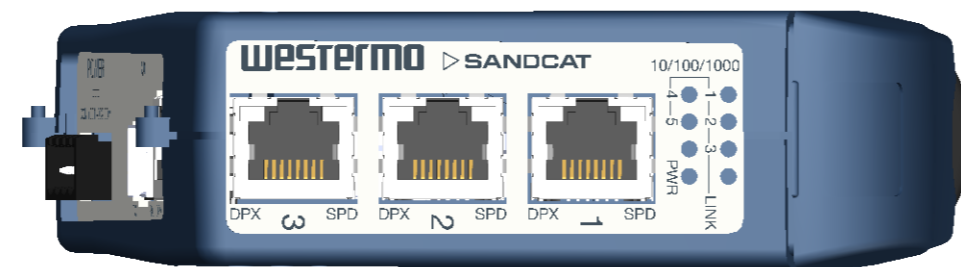
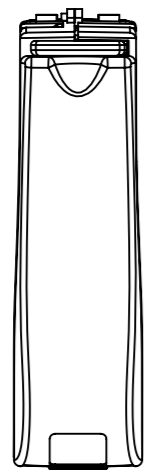
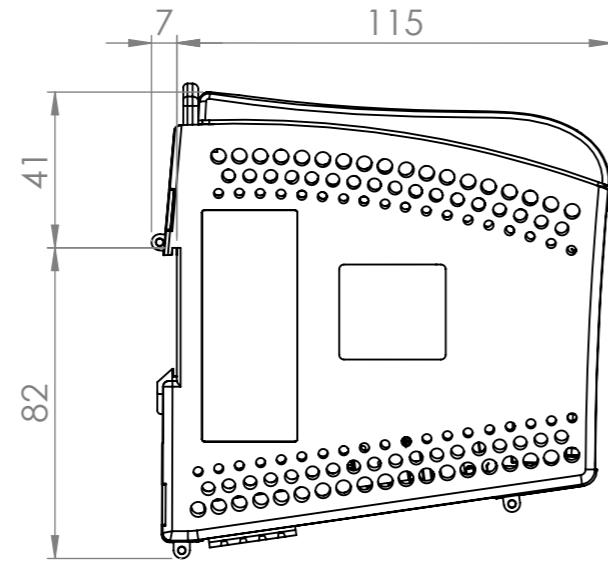
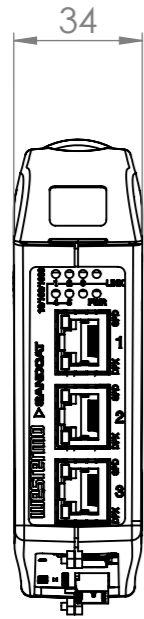


REVISIONS

Rev	Description	Designer	Approved	Date
01	Created	JEM	KTN	2025-03-17



	Units	mm	Material/Notes	Notes	Tolerance	±1 mm								
	Denomination			SandCat-3505-F1G-T4G-LV		Designer	JEM	Approved	KTN	Date	2025-03-17	Scale	1:1	Sheet
Drawing No.						3630-2020-UD-01		Status		Approved				