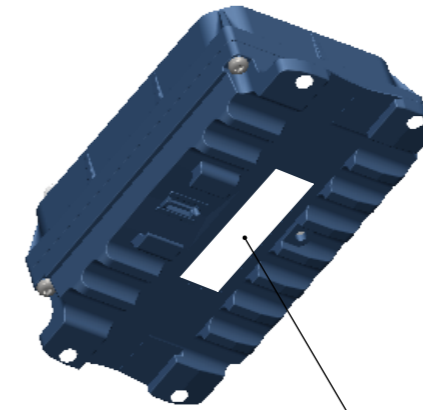
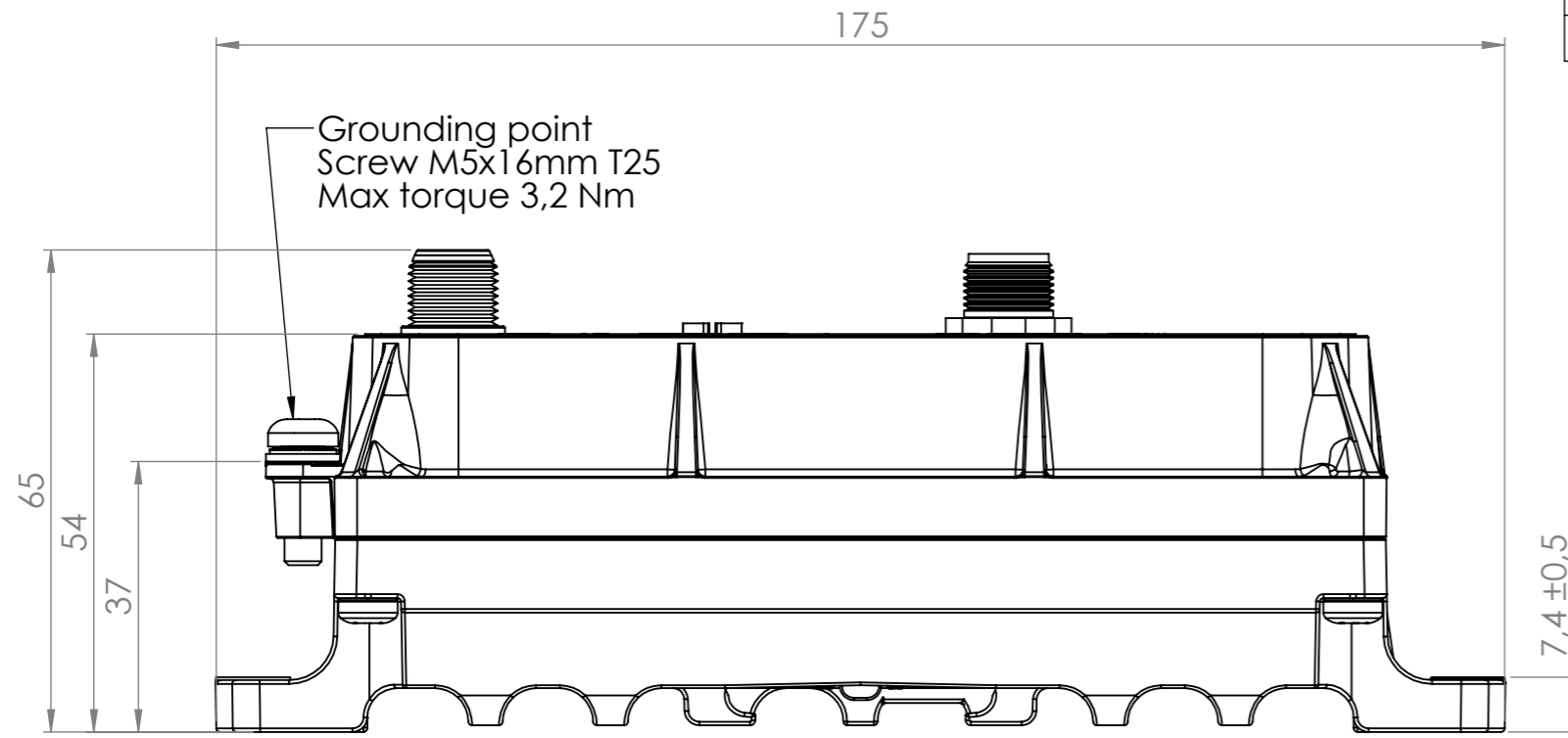
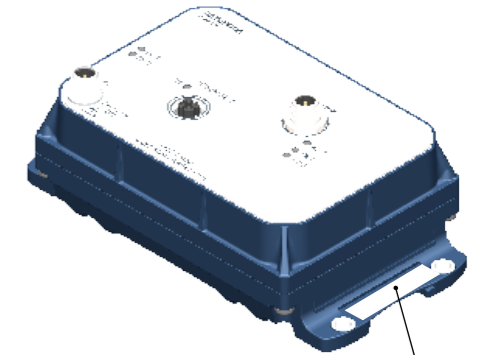


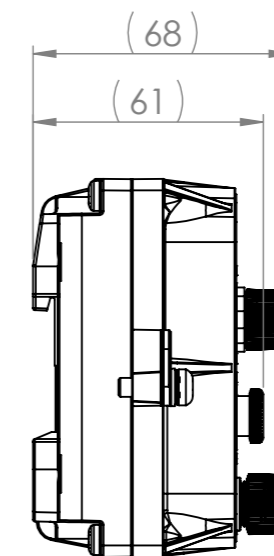
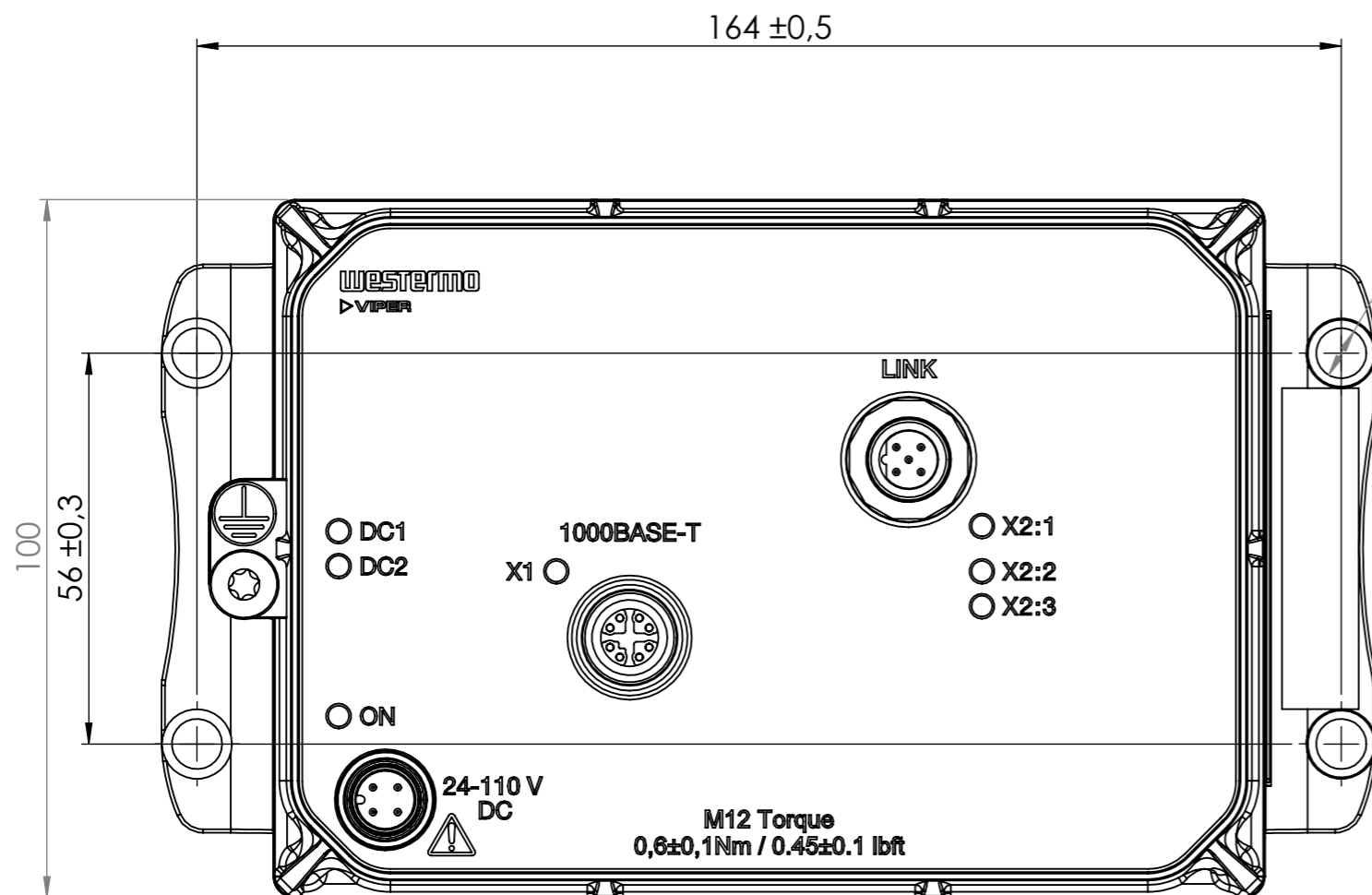
REVISIONS				
Rev	Description	Designer	Approved	Date
01	Created	KTN	KLI	2023-04-12



Label: P/N, Type, Power, MAC, S/N, QR-code



Label: Product name, P/N, S/N, QR-code



With protective caps on ports

Weight: 1205 ±20 g

Units in millimeter (mm)

	Units	Material/Notes	Notes		Tolerance ±1 mm	
	mm				Designer	Approved
WESTERMO			Denomination Viper-002-T1G-PL1		KTN	KLI
					Date	Scale
					2023-04-12	1:1
					Sheet	1(1)
					Status	
					Approved	
					Drawing No.	
					3635-3100-UD-01	