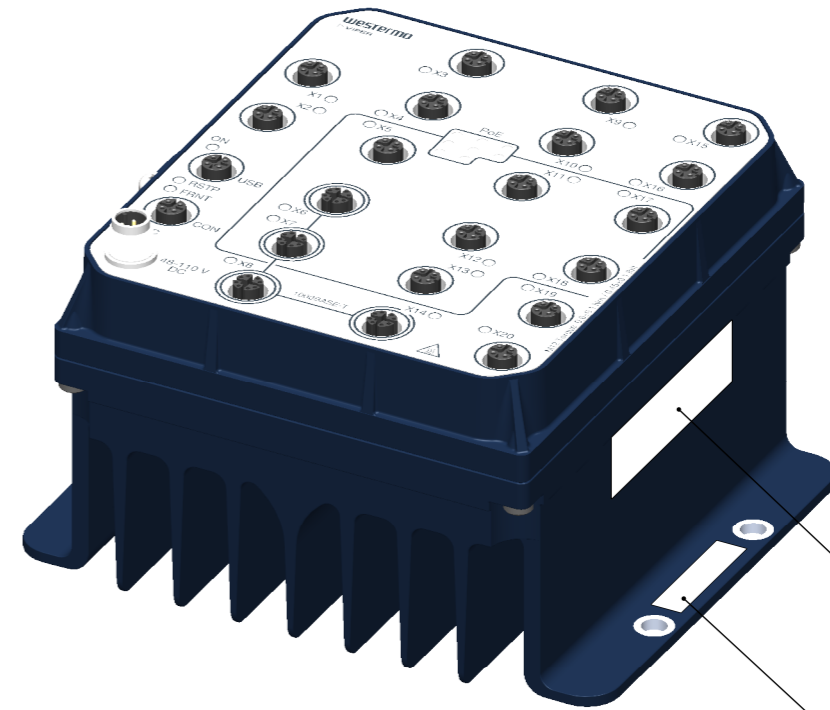


REVISIONS				
Rev	Description	Designer	Approved	Date
03	Grounding point info added, Tolerances added	KTN	KLI	2017-08-14
04	Article number changed from 1420 to 1320	KTN	KLI	2018-04-27
05	Change of product color and overlay	ODB	KLI	2020-06-25



Label: Product name, P/N, S/N, QR-code

Label: P/N, Type, Power, MAC, S/N, QR-code

Units in millimeter (mm)

	Denomination Viper 220A -T4G - P8 - HV	Tolerance ±1,5 mm		Scale	Sheet
		Designer KTN	Approved KLI	Date 2016-09-01	2:3
Drawing No. 3635-1320-UD-05			Status Approved		