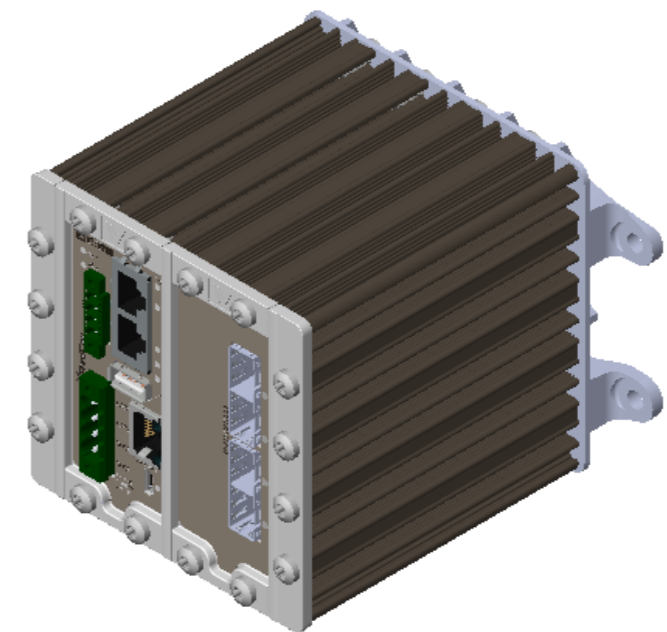
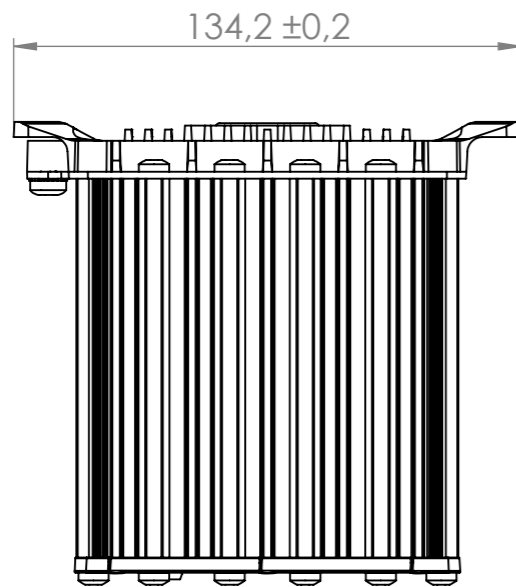
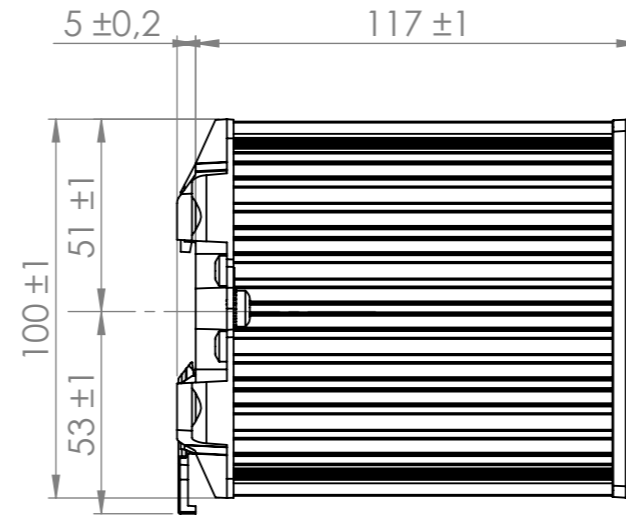
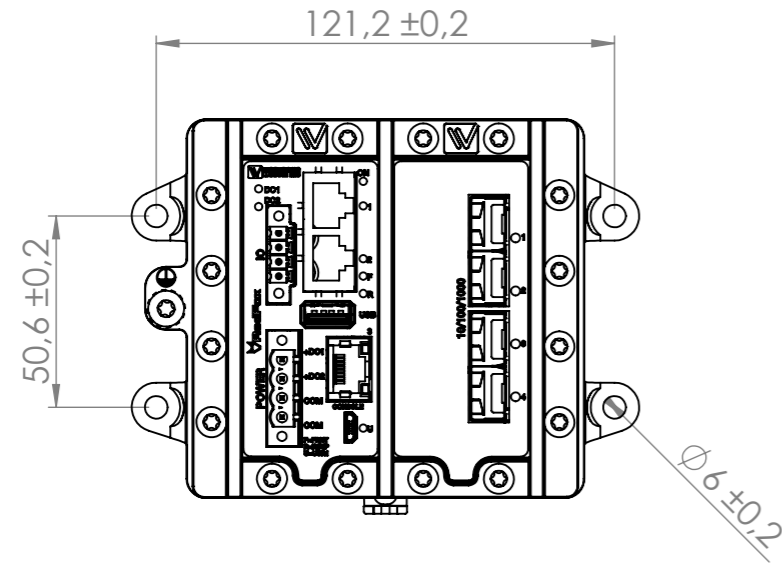


REVISIONS

Rev	Description	Designer	Approved	Date
01	Created	PWM	TDN	2014-11-26



Material/Notes <b>WESTERMO</b> ®	Denomination <b>RFI-207-F4G-T3G</b>	Tolerance ± 1mm		Scale 1:2	Sheet 1(1)
		Designer PWM	Approved TDN		
Drawing No. 3641-4210-UD-01					