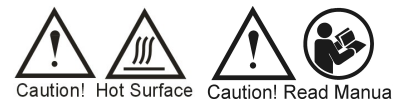


EN	PS-240-P4G Installation Manual
DE	PS-240-P4G Installationsanleitung
FR	PS-240-P4G Manuel d'installation
ES	PS-240-P4G Manual de instalación
IT	PS-240-P4G Manuale di Installazione
PT	PS-240-P4G Manual de instalação

PoE Power Supply 1-Phase, 53V, 4x 30W (PoE), 1x 120W
PoE Stromversorgung 1-Phase, 53V, 4x 30W (PoE), 1x 120W
Alimentation PoE 1-Phase, 53V, 4x 30W (PoE), 1x 120W
Fuente De Alimentación PoE 1-Phase, 53V, 4x 30W (PoE), 1x 120W
Alimentatore PoE 1-Phase, 53V, 4x 30W (PoE), 1x 120W
Fonte de Alimentação PoE 1-Phase, 53V, 4x 30W (PoE), 1x 120W

WESTERMO

Doc. ID: PU-445.015.70-xxB (2022-04-21-MW2)



Read this first!

English

Before operating this device, please read this manual thoroughly and retain this manual for future reference! This device may only be installed and put into operation by qualified personnel. If damage or malfunction should occur during operation, immediately turn power off and send device to the factory for inspection. The device does not contain serviceable parts. The information presented in this document is believed to be accurate and reliable and may change without notice. For any clarifications the English translation will be used.

⚠ WARNING

Risk of electrical shock, fire, personal injury, or death:

- Turn power off before working on the device. Protect against inadvertent re-powering.
- Do not open, modify or repair the device.
- Use caution to prevent any foreign objects from entering the housing.
- Do not use in wet locations or in areas where moisture or condensation can be expected.
- Do not touch during power-on and immediately after power-off. Hot surfaces may cause burns.

Vor Inbetriebnahme lesen!

Deutsch

Bitte lesen Sie diese Warnungen und Hinweise sorgfältig durch, bevor Sie das Gerät in Betrieb nehmen. Bewahren Sie die Anleitung zum Nachlesen auf. Das Gerät darf nur durch fachkundiges und qualifiziertes Personal installiert werden. Bei Funktionsstörungen oder Beschädigungen schalten Sie sofort die Versorgungsspannung ab und senden das Gerät zur Überprüfung ins Werk. Das Gerät beinhaltet keine Servicebauteile. Die angegebenen Daten dienen allein der Produktbeschreibung und sind nicht als zugesicherte Eigenschaften im Rechtssinne aufzufassen. Im Zweifelsfall gilt der englische Text.

⚠ WARNING

Missachtung nachfolgender Punkte kann einen elektrischen Schlag, Brände, schwere Unfälle oder Tod zur Folge haben:

- Schalten Sie die Eingangsspannung vor Installations-, Wartungs- oder Änderungsarbeiten ab und sichern Sie diese gegen unbeabsichtigtes Wiedereinschalten.
- Führen Sie keine Änderungen oder Reparaturversuche am Gerät durch. Gerät nicht öffnen!
- Verhindern Sie das Eindringen von Fremdkörpern, wie z.B. Büroklammern und Metallteilen.
- Betreiben Sie das Gerät nicht in feuchter Umgebung oder in einer Umgebung, bei der mit Betauung oder Kondensation zu rechnen ist.
- Gehäuse nicht während des Betriebes oder kurz nach dem Abschalten berühren. Heiße Oberflächen können Verletzungen verursachen.

A lire avant mise sous tension!

Français

Veillez lire ces instructions de montage et d'entretien avant de mettre l'alimentation sous tension. Conservez ce manuel qui vous sera toujours utile. Cette alimentation ne doit être installée que par du personnel qualifié et compétent. En cas de dommage ou dysfonctionnement, coupez immédiatement la tension d'alimentation et retournez l'appareil à l'usine pour vérification. ! L'alimentation ne contient pas de pièces échangeables Les données indiquées dans ce document servent uniquement à donner une description du produit et n'ont aucune valeur juridique. En cas de divergences, le texte anglais fait foi.

⚠ AVERTISSEMENT

Prendre en compte les points suivants, afin d'éviter toute détérioration électrique, incendie, dommage aux personnes ou mort:

- Mettre l'alimentation hors tension avant toute intervention sur celle-ci et s'assurer qu'il n'y a pas risque de redémarrage.
- Ne pas ouvrir, modifier ou réparer l'alimentation.
- Veiller à ce qu'aucun objet ne rentre en contact avec l'intérieur de l'alimentation (trombones, pièces métalliques).
- Ne pas faire fonctionner l'appareil dans un environnement humide ou dans un environnement où il peut y avoir de la condensation.
- Ne pas toucher le carter pendant le fonctionnement ou directement après la mise hors tension. Surface chaude risquant d'entraîner des blessures.

Lea primero!

Español

Conserve este manual como referencia para futuras consultas. La fuente de alimentación solo puede ser instalada y puesta en funcionamiento por personal cualificado. Por favor lea detenidamente este manual antes de conectar la fuente de alimentación. Si se produce un fallo o mal funcionamiento durante la operación, desconecte inmediatamente la tensión de alimentación. En ambos casos, el equipo debe ser inspeccionado en fábrica. La información presentada en este documento es exacta y fiable en cuanto a la descripción del producto y puede cambiar sin aviso. En casa de duda, prevalece el texto inglés.

⚠ ADVERTENCIA

Riesgo de descarga eléctrica, incendio, accidente grave o muerte:

- Desconectar la tensión de red antes de trabajar en la fuente de alimentación. Evite una posible reconexión involuntaria.
- No realizar ninguna modificación o reparación de la unidad. No abrir la unidad.
- Evitar la introducción en la carcasa de objetos extraños.
- No usar el equipo en ambientes húmedos. No operar el equipo en ambientes donde se espere la formación de rocío o condensación.
- No tocar durante el funcionamiento ni inmediatamente después del apagado. El calor de la superficie puede causar quemaduras graves.

Leggere prima questa parte!

Italiano

Prima di collegare il sistema di alimentazione elettrica si prega di leggere attentamente le seguenti avvertenze. Conservare le istruzioni per la consultazione futura. Il sistema di alimentazione elettrica deve essere installato solo da personale competente e qualificato. Se durante il funzionamento si verificano anomalie o guasti, scollegare immediatamente la tensione di alimentazione. In entrambi i casi è necessario far controllare l'apparecchio dal produttore! I dati sono indicati solo a scopo descrittivo del prodotto e non vanno considerati come caratteristiche garantite dell'apparecchio. In caso di differenze o problemi è valido il testo inglese

⚠ AVVERTENZA

Il mancato rispetto delle seguenti norme può provocare folgorazione elettrica, incendi, gravi incidenti e perfino la morte:

- Prima di eseguire interventi di installazione, di manutenzione o di modifica scollegare la tensione di rete ed adottare tutti i provvedimenti necessari per impedirne il ricollegamento non intenzionale.
- Non tentare di aprire, di modificare o di riparare da soli l'apparecchio.
- Impedire la penetrazione di corpi estranei nell'apparecchio, ad esempio fermagli o altri oggetti metallici.
- Non far funzionare l'apparecchio in un ambiente umido. Non far funzionare l'apparecchio in un ambiente soggetto alla formazione di condensa o di rugiada.
- Non toccare quando acceso e subito dopo lo spegnimento. La superficie calda può causare scottature.

Leia primeiro!

Português

Recomendamos a leitura cuidadosa das seguintes advertências e observações, antes de colocar em funcionamento a fonte de alimentação. Guarde as Instruções para futura consulta, em casos de dúvida. A fonte de alimentação deverá ser instalada apenas por profissionais da área, tecnicamente qualificados. Se por acaso, durante a utilização ocorrer algum defeito de funcionamento ou dano, desligue imediatamente a tensão de alimentação. Em ambos os casos, será necessária uma verificação na Fábrica! Os dados mencionados têm como finalidade somente a descrição do produto, e não devem ser interpretados como propriedades garantidas no sentido jurídico. Em caso de dúvidas aplica-se o texto em inglês.

⚠ ATENÇÃO

A não observância ou o incumprimento dos pontos a seguir mencionados, poderá causar uma descarga elétrica, incêndios, acidentes graves ou morte:

- Antes de trabalhos de instalação, manutenção ou modificação, desligue a tensão de alimentação, protegendo-a contra uma nova ligação involuntária.
- Não efectue nenhuma modificação ou tentativa de reparação no aparelho. Quando necessário contacte o seu distribuidor. Não abra o aparelho.
- Proteger a fonte de alimentação contra a introdução inadvertida de corpos metálicos, como por ex., cliques ou outras peças de metal.
- Não usar o aparelho em ambientes húmidos. Não usar o aparelho em ambientes propensos a condensações.
- Não tocar enquanto estiver em funcionamento, nem após a desligar. A superfície poderá estar quente e provocar lesões.

Westermo Network Technologies
Metallverksgatan 6
SE-72130 Västerås
Sweden

The information in this document is believed to be accurate and reliable and may change without notice.

Product Description

The PS-240-P4G is a DIN-rail mountable single-phase-input power supply, which provides power for Power over Ethernet (PoE and PoE+) applications. It injects power to 4 individual PoE channels (IEEE 802.3at) via RJ45 Ethernet ports. In addition, it also provides a DC output voltage for external loads.

Intended Use

This device is designed for installation in an enclosure and is intended for commercial use, such as in industrial control, process control, monitoring and measurement equipment or the like. The device is suitable for indoor applications. Outdoor applications are also allowed as long as all requirements specified in this manual (enclosure, controlled environment, condensation, ...) are met. Do not use this device in equipment, where malfunctioning may cause severe personal injury or threaten human life without additional appropriate safety devices, that are suited for the end-application. If this device is used in a manner outside of its specification, the protection provided by the device may be impaired.

Installation Instructions

Install device in an enclosure providing protection against electrical, mechanical and fire hazards. Install the device onto a DIN-rail according to EN 60715 with the input terminals on the bottom of the device. Make sure that the wiring is correct by following all local and national codes. Use appropriate copper cables that are designed for a minimum operating temperature of 60°C for ambient temperatures up to +45°C, 75°C for ambient temperatures up to +60°C and 90°C for ambient temperatures up to +70°C. Ensure that all strands of a stranded wire enter the terminal connection. Use ferrules for wires on the input terminals. Unused screw terminals should be securely tightened. Use shielded twisted pair Ethernet cables specified for usage in IEEE 802.3at. The device is designed for pollution degree 2 areas in controlled environments. No condensation or frost is allowed. The enclosure of the device provides a degree of protection of IP20. The enclosure does not provide protection against spilled liquids. The device is designed for overvoltage category III zones. The device is designed as "Class of Protection I" equipment according to IEC 61140. Do not use without a proper PE (Protective Earth) connection. The device is suitable to be supplied from TN, TT or IT mains networks. The voltage between the input terminal and the PE potential must not exceed 264Vac. The input can also be powered from batteries or similar DC sources. The continuous voltage between the supply voltage and the PE/ground potential must not exceed 180Vdc. A disconnecting means shall be provided for the input of the device. The device is designed for convection cooling and does not require an external fan. Do not obstruct airflow and do not cover ventilation grid! The device is designed for altitudes up to 2000m (6560ft). Keep the following minimum installation clearances: 40mm on top, 20mm on the bottom, 5mm left and right side. Increase the 5mm to 15mm in case the adjacent device is a heat source. When the device is permanently loaded with less than 50%, the 5mm can be reduced to zero. The device is designed, tested and approved for branch circuits up to 20A without additional protection device. If an external fuse is utilized, do not use circuit breakers smaller than 6A B- or C-Characteristic to avoid a nuisance tripping of the circuit breaker. The maximum surrounding air temperature is +70°C (+158°F). The operational temperature is the same as the ambient or surrounding air temperature and is defined 2cm below the device. The device is designed to operate in areas between 5% and 95% relative humidity. Do not plug or unplug the device as long as input voltage is present. Do not unplug the input connectors and the connector for the external loads (53V) more often than 20 times in total.

Functional Description

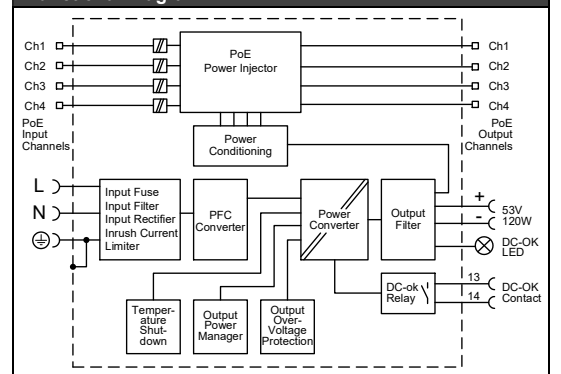
The output is electronically protected against no-load, overload and short circuit and can supply any kind of loads according to IEEE 802.3at. Do not apply return voltages from the load to the output terminals higher than 56V. The green DC OK LED reports an output voltage above 48V of a running device. The DC OK relay monitors the output voltage and the contact is closed when the DC OK LED is on. Contact ratings: 60Vdc 0.3A, 30Vdc 1A, 30Vac 0.5A for resistive loads. In order to fulfill the IEEE 802.3AT requirements, external equipment and wiring connected to the DC OK contact need to have a minimum isolation strength of 1500Vac to ground. The device is equipped with an over-current protection for each PoE output channel. If the current exceeds the output current limitation value, the affected PoE channel will be switched off. Unplug the affected channel for at least 2s. If the over-current is cleared, the device will operate normally again. The device is equipped with an over-temperature protection. In case of a high temperature, the output shuts down and starts automatically again after cooling off. In case of an internal defect, a redundant circuit limits the maximum output voltage to 60V. The output shuts down and automatically attempts to restart. The device detects connected PoE loads automatically and will not power connected non-PoE devices according to IEEE 802.3at. External equipment and wiring connected to the DC output need to have a minimum isolation strength of 1500Vac to ground.

Technical Data

All values are typical figures specified at 230Vac 50Hz input voltage, 53V 4x 30W output load (PoE), 120W external load, 25°C ambient temperature and after a 5 minutes run-in time unless otherwise noted.

Output voltage	DC 53V	Nominal
Adjustment range	-	Not adjustable
DC output for external load	120W	Below +60°C ambient
	90W	At +70°C ambient
	2.26A	Below +60°C ambient
	1.7A	At +70°C ambient
Current limitation	5.5A	
PoE Power outputs	4x 30W	PoE+ Applications
	4x 15.4W	PoE Applications
Current limitation	0.63A	PoE+ Applications
	0.33A	PoE Applications
Total output power	240W	Nominal, sum for external and PoE+ loads
	182W	Nominal, sum for external and PoE loads
Input voltage AC	AC 100 - 240V	-15% / +10%
Mains frequency	50 – 60Hz	±6%
Input current AC	2.18 / 1.14A	At 120 / 230Vac
Power factor	0.99 / 0.97	At 120 / 230Vac
Input voltage DC	DC 110 - 150V	±20%
Input current DC	2.35A	At 110Vdc
Input inrush current	6 / 9A pk	At 40°C, 120 / 230Vac
Efficiency	92.6 / 94.1%	At 120 / 230Vac
Power losses	19.2 / 15.0W	At 120 / 230Vac
Hold-up time	37 / 37ms	At 120 / 230Vac
Temperature range	-25 to +60°C	PoE+ Applications
	-25 to +70°C	PoE Applications
Max. wire size (litz wire)	2.5mm ²	Power terminals
Max. wire size with ferrules	1.5mm ²	Power terminals
Wire size AWG	AWG 24-12	Power terminals
Maximum wire diameter	2.3mm	Power terminals
Wire stripping length	10mm / 0.4inch	Power terminals
Max. wire size (litz wire)	1.5mm ²	DC OK terminals
Wire size AWG	AWG 24-16	DC OK terminals
Maximal wire diameter	1.8 mm	DC OK terminals
Wire stripping length	6mm / 0.25inch	DC OK terminals
Tightening torque	0.8Nm / 7lb.inch	DC OK terminals
Size (wxhxd)	77x128x117mm	Without DIN-rail
Weight	960g / 2.12lb	

Functional Diagram



Temperature Range

