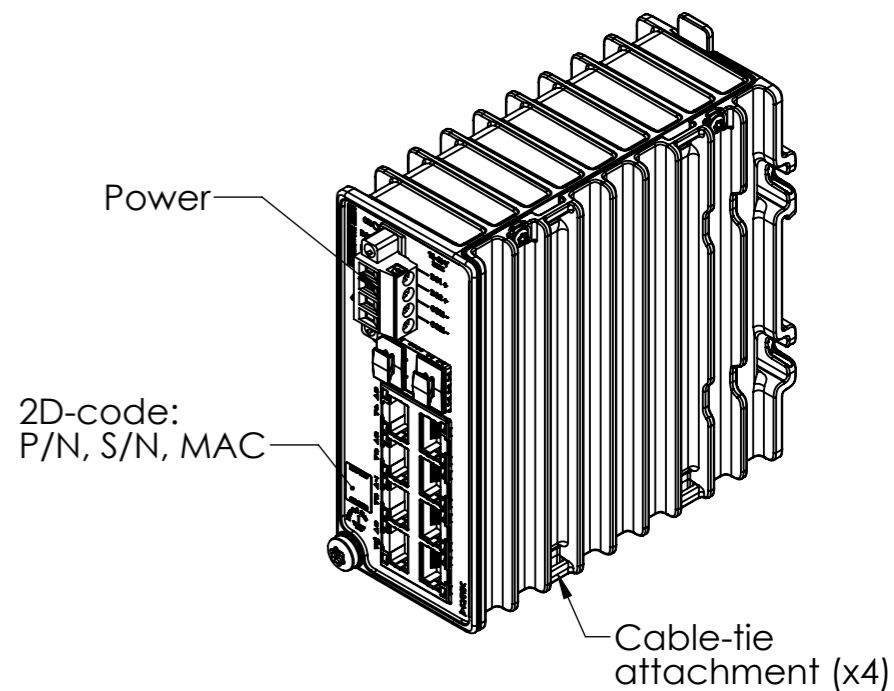
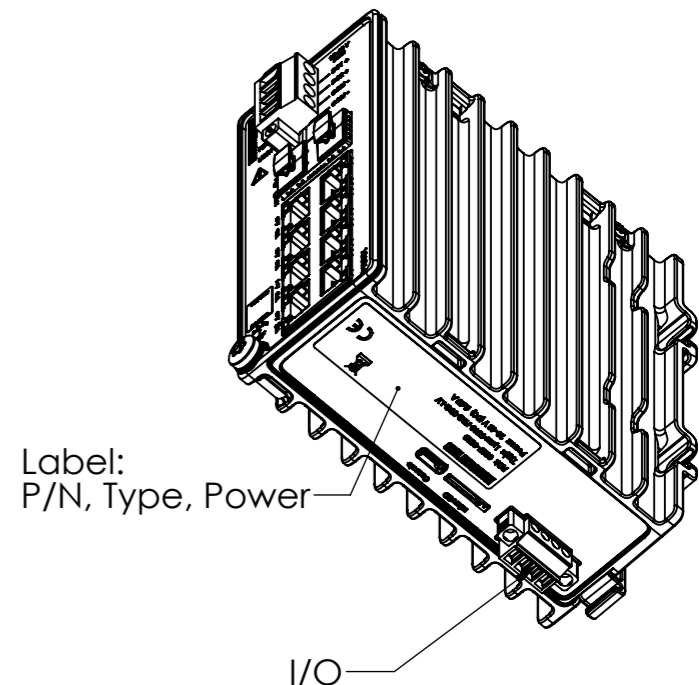
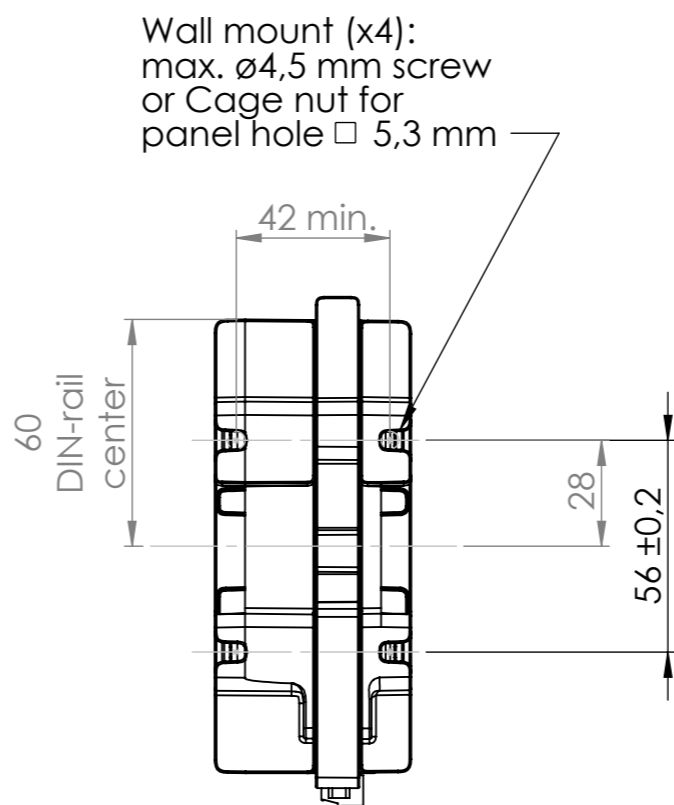
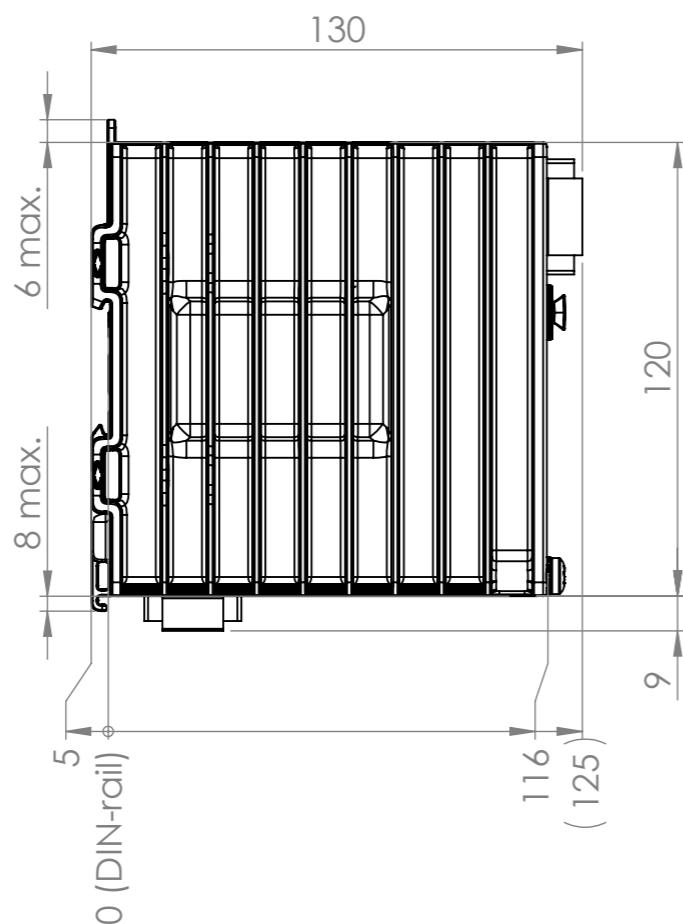
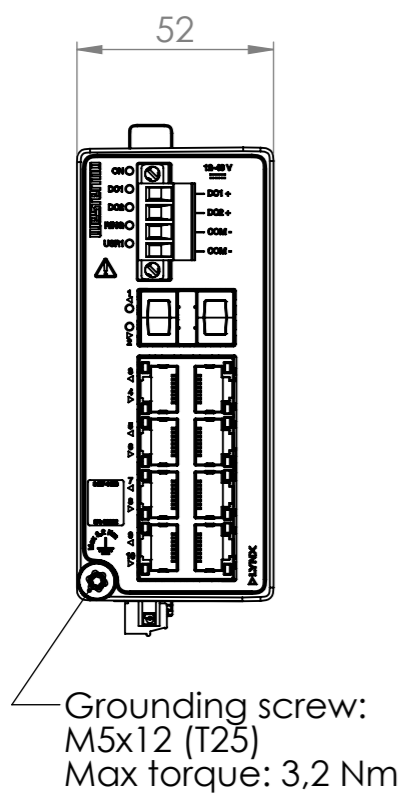


REVISIONS				
Rev	Description	Designer	Approved	Date
01	Created	KTN	KLI	2022-09-30



	Units	Material/Notes	Notes	Tolerance $\pm 1$ mm				
	mm			Designer	Approved	Date	Scale	Sheet
			Denomination	KTN	KLI	2022-09-30	1:2	1(1)
				Drawing No.		Status		
				3627-0520-UD-01		Approved		