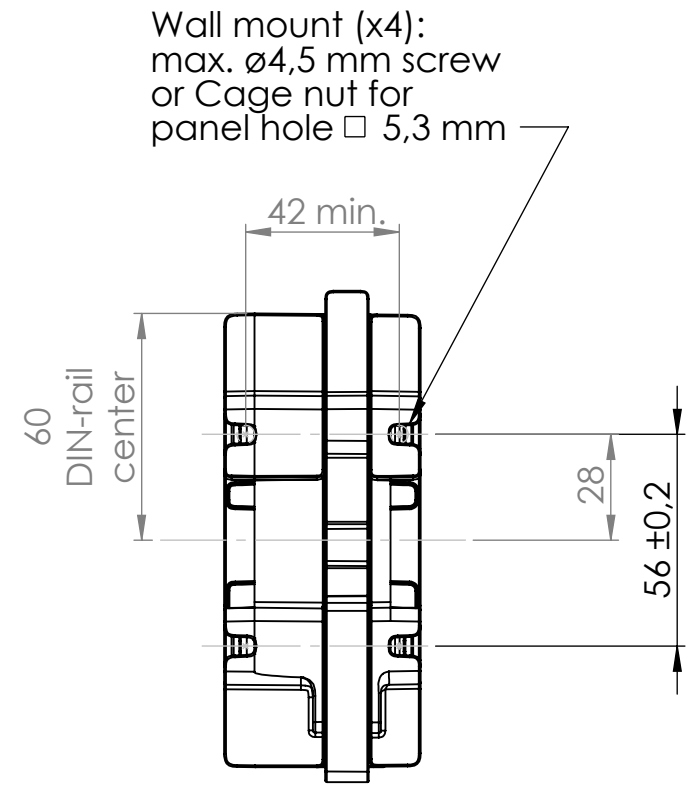
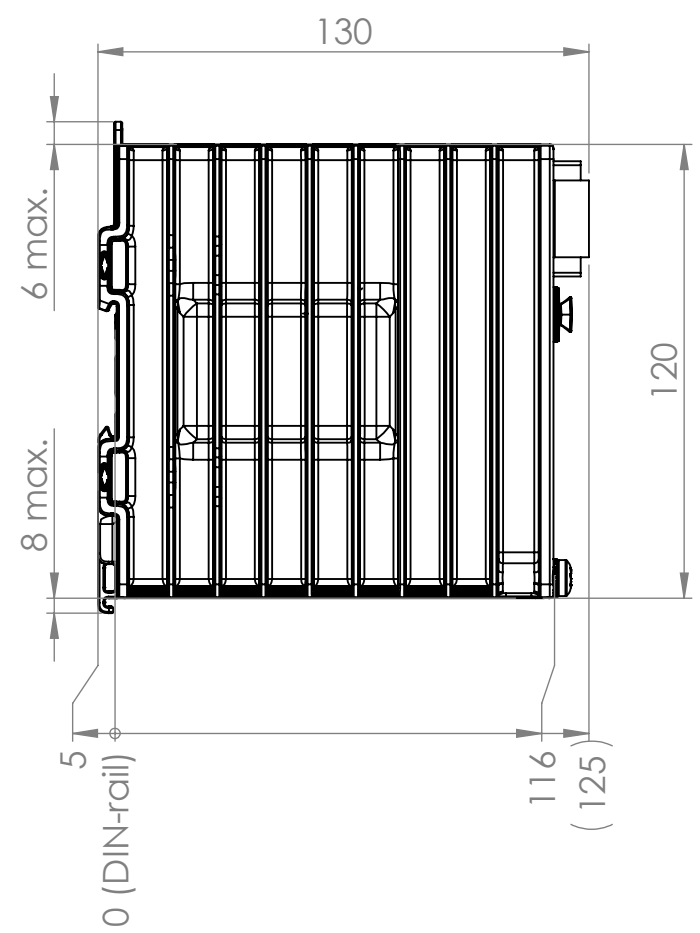
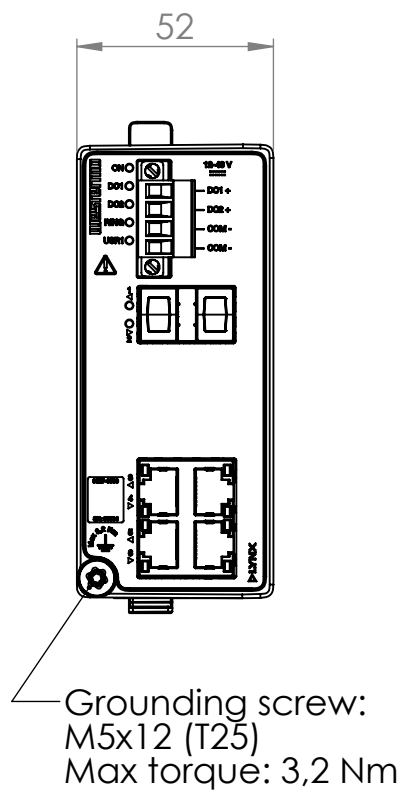
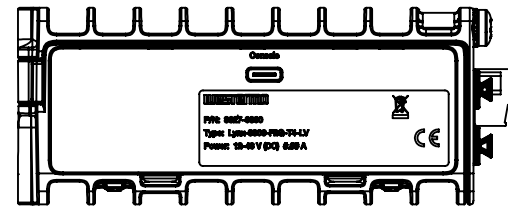
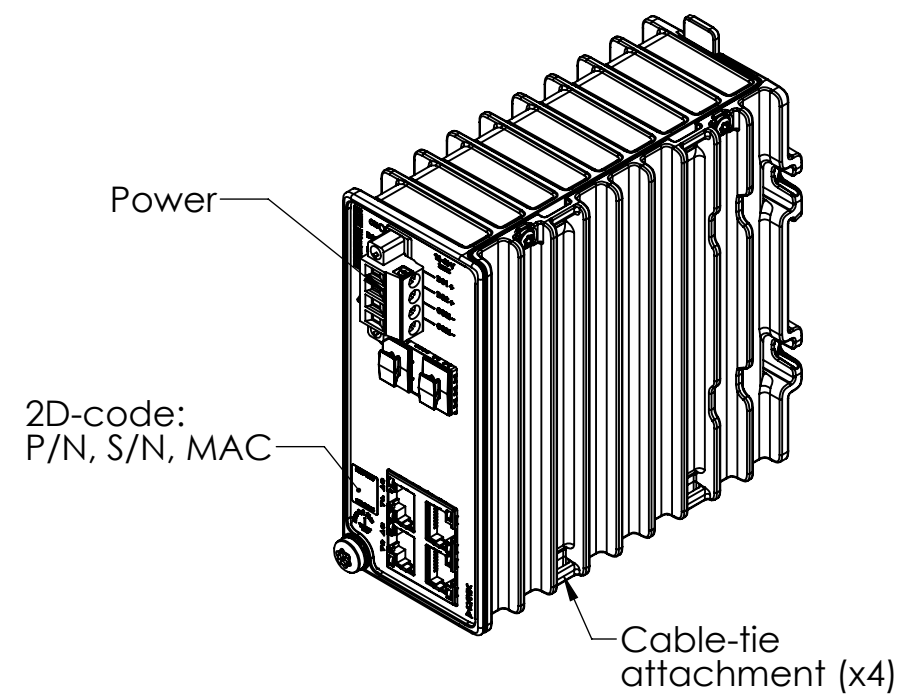
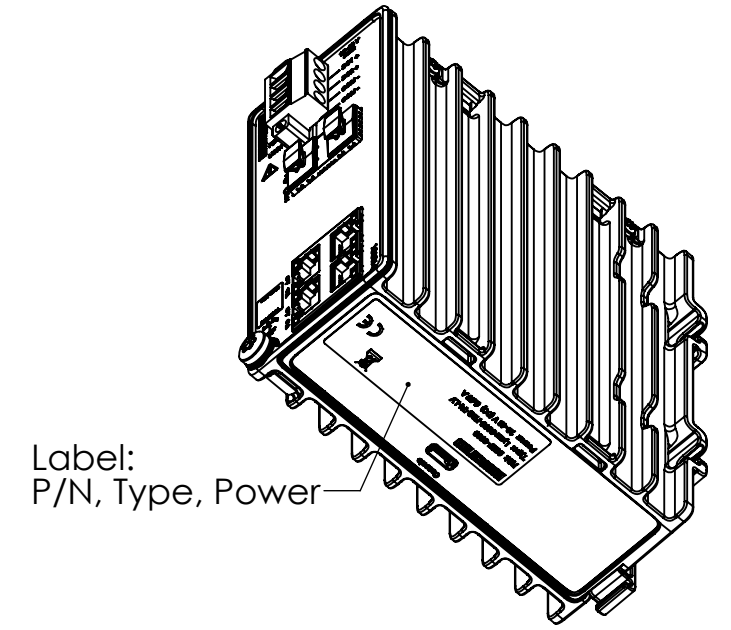


REVISIONS				
Rev	Description	Designer	Approved	Date
01	Created	KTN	KLI	2023-04-26



Wall mount (x4):
max. ø4,5 mm screw
or Cage nut for
panel hole □ 5,3 mm



	Units	Material/Notes	Notes	Tolerance ±1 mm	
	mm			Designer	Approved
Denomination			Date		Scale
Lynx-3306-F2G-T4-LV			2023-04-26		1:2
Drawing No.				Status	Sheet
3627-0600-UD-01				Approved	1(1)