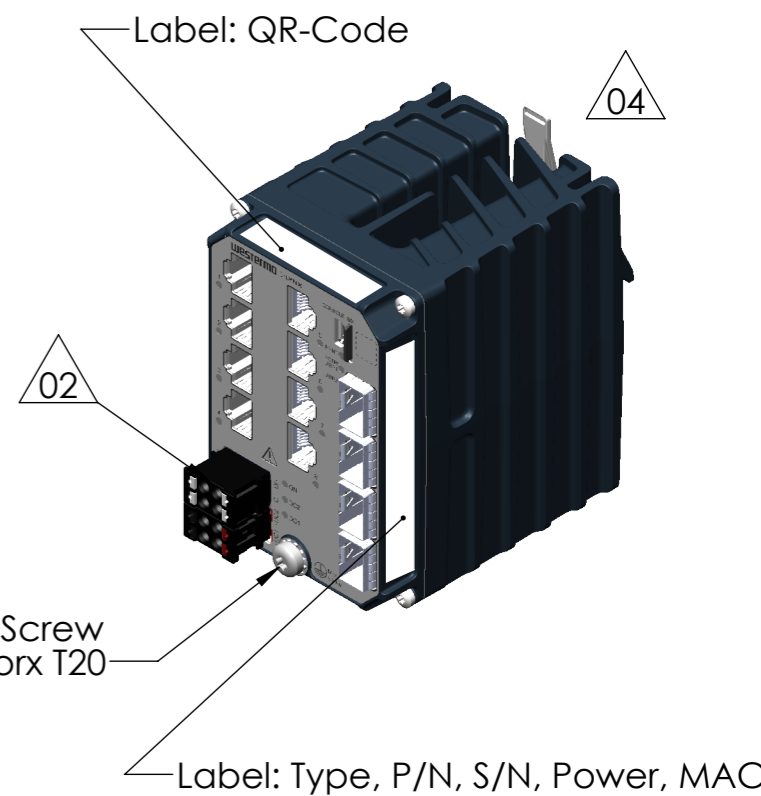
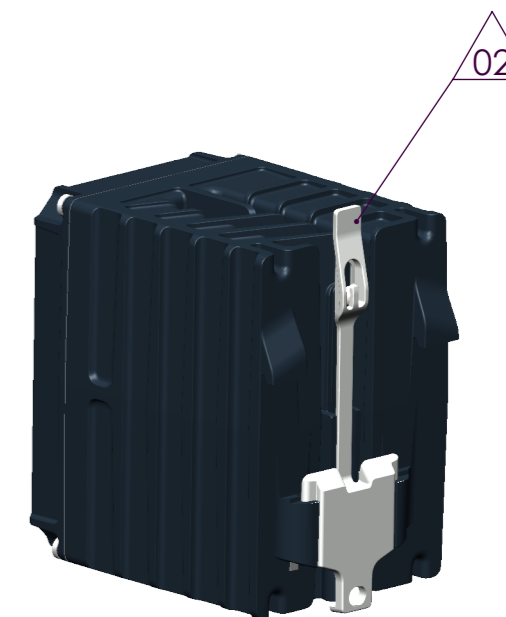
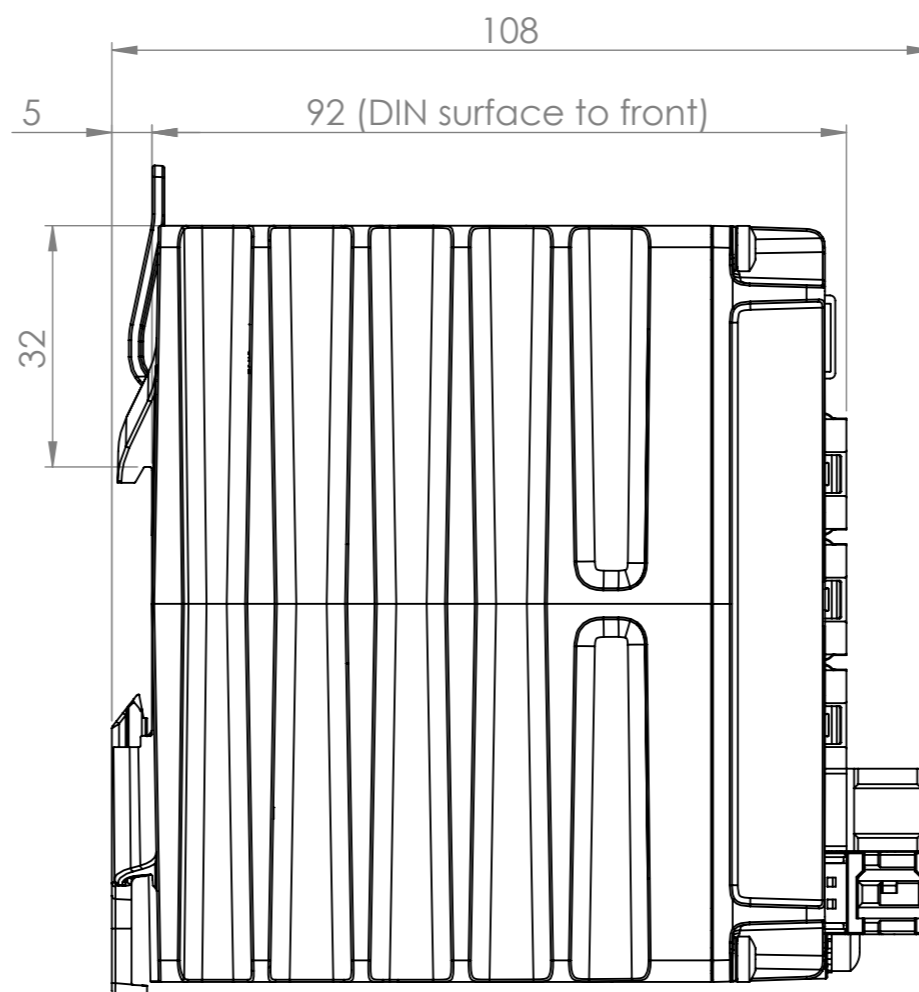
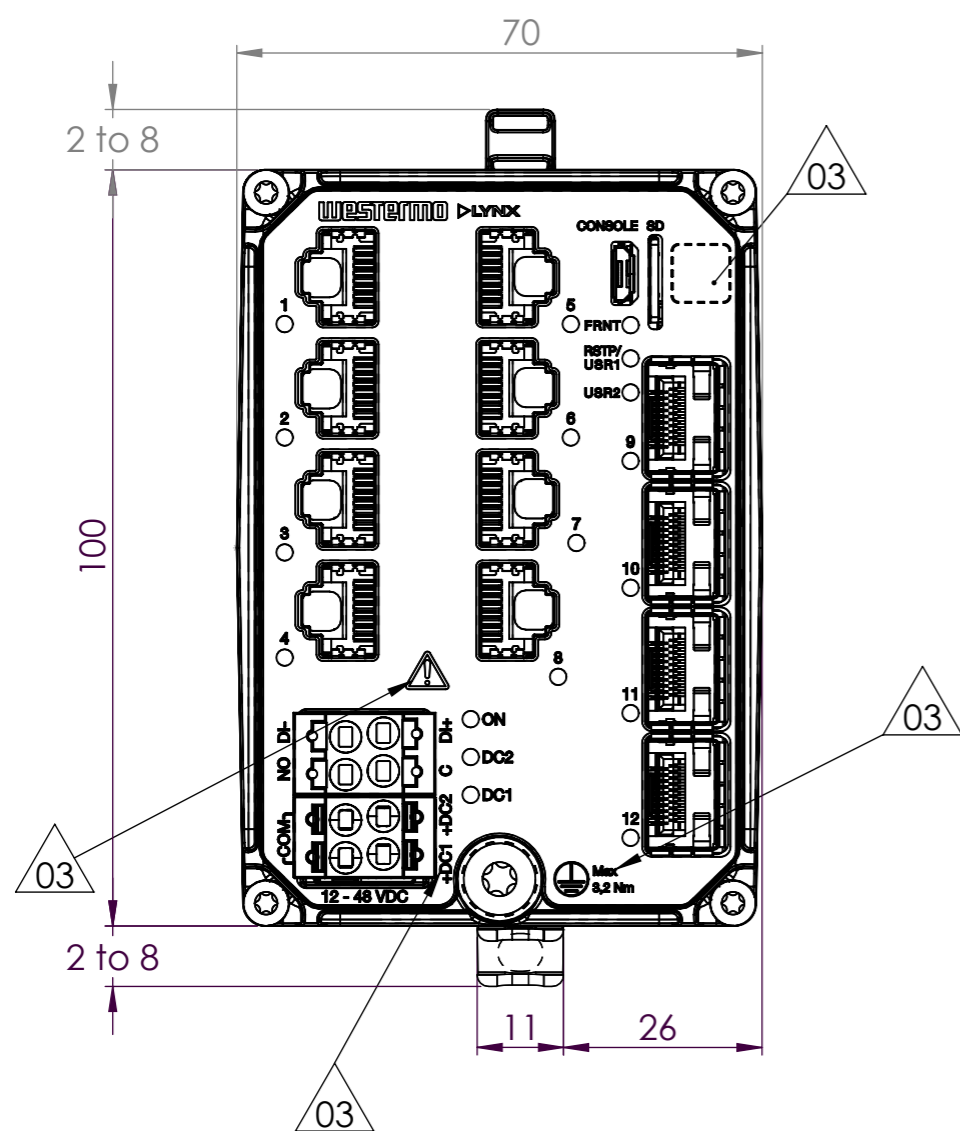


REVISIONS

Rev	Description	Designer	Approved	Date
02	Changed DIN-lock, Added power- and I/O-connector	KTN	KLI	2019-05-08
03	Front Panel design adjusted: (QR-code moved, Exclamation mark added, Grounding screw Torque added, color markings at +DC1, +DC2, COM)	KTN	KLI	2019-12-05
04	Color changed and front panel updated	ODB	KLI	2020-05-25



Material/Notes		Notes			Tolerance	
		Dimensions in millimeters (mm)			±1 mm	
Denomination		Designer	Approved	Date	Scale	Sheet
Westermo Lynx-5512-F4G-T8G-LV		KTN	KLI	2019-01-17	1:1	1(1)
Drawing No.				Status		
3643-0300-UD-04				Approved		