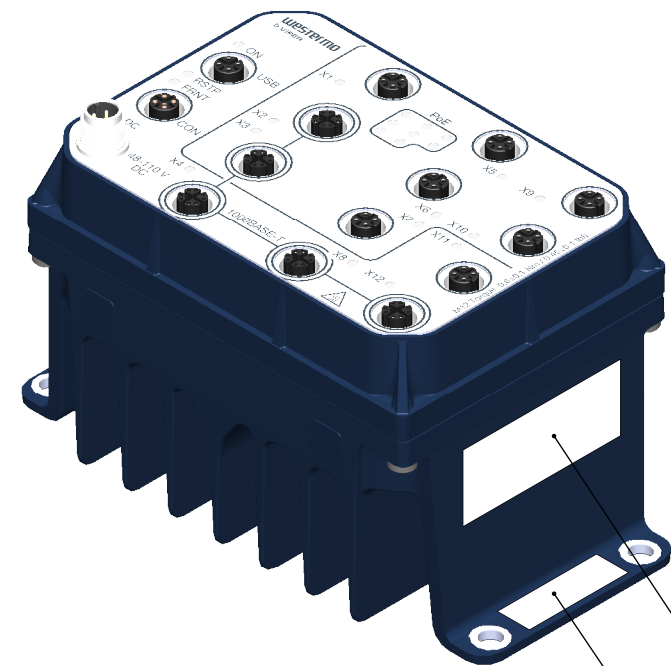
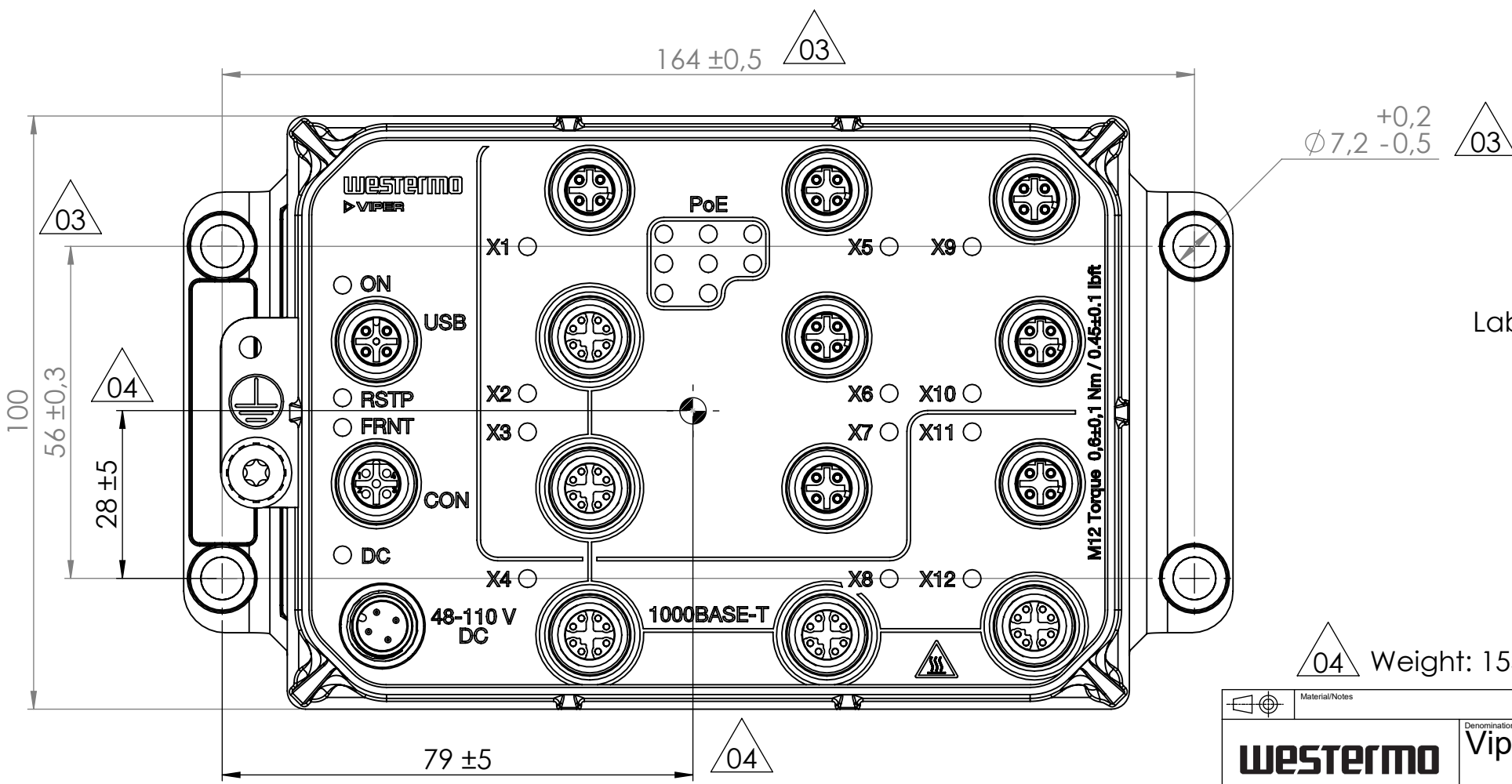
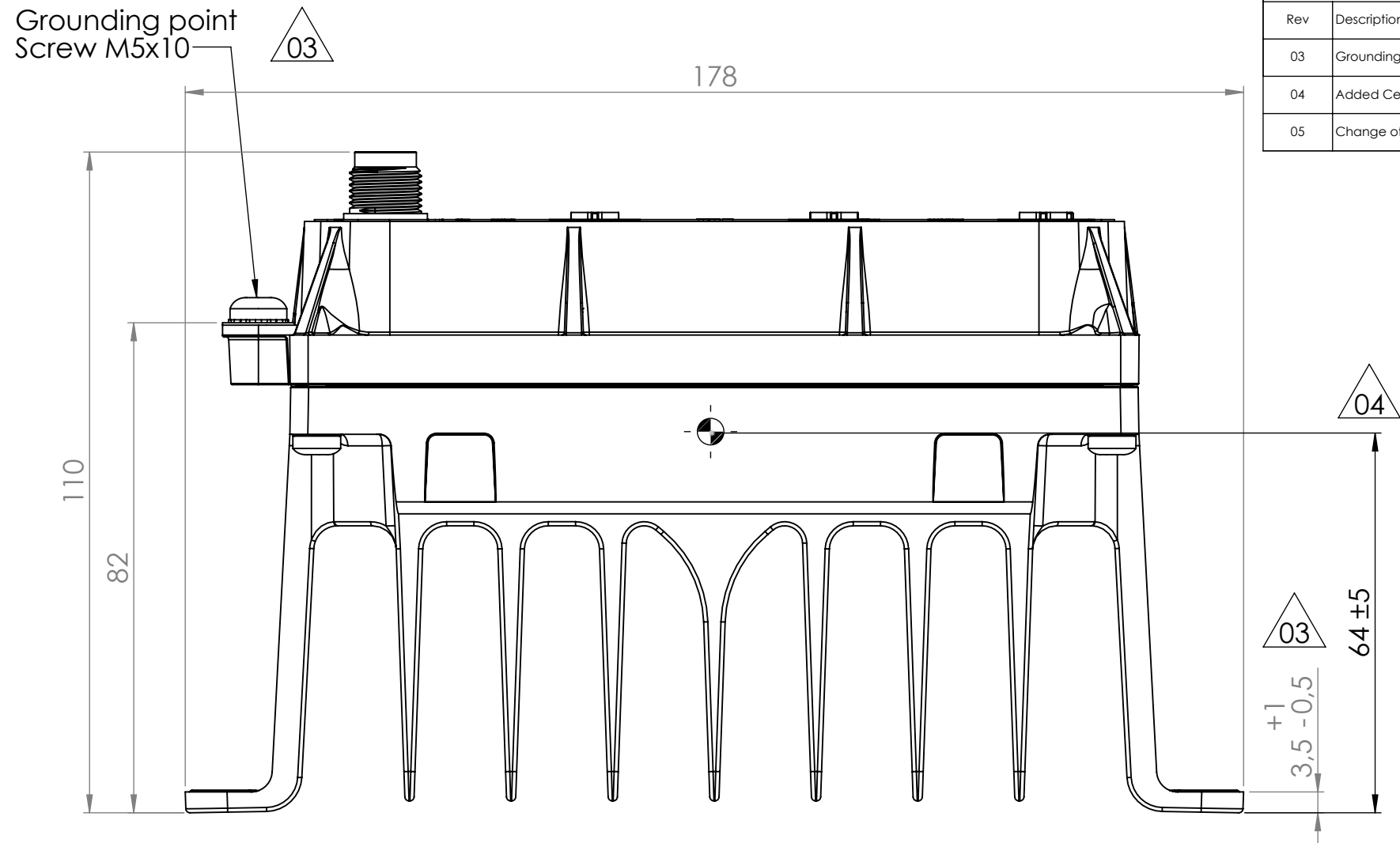


REVISIONS

Rev	Description	Designer	Approved	Date
03	Grounding point info added, Tolerances added	KTN	KLI	2017-08-15
04	Added Center of Gravity (CG). Added weight	KTN	KLI	2019-08-09
05	Change of product color and overlay	ODB	KLI	2020-06-23



Label: Product name, P/N, S/N, QR-code

Label: P/N, Type, Power, MAC, S/N, QR-code

04 Weight: 1550±20 g

Units in millimeter (mm)

Material/Notes		Notes		Tolerance ±1,5 mm	
WESTERMO		Denomination Viper-212A-T5G-P8-HV		Designer ODB	Approved KLI
Drawing No. 3635-0720-UD-05		Date 2020-06-23		Scale 1:1	Sheet 1(1)
				Status	Approved