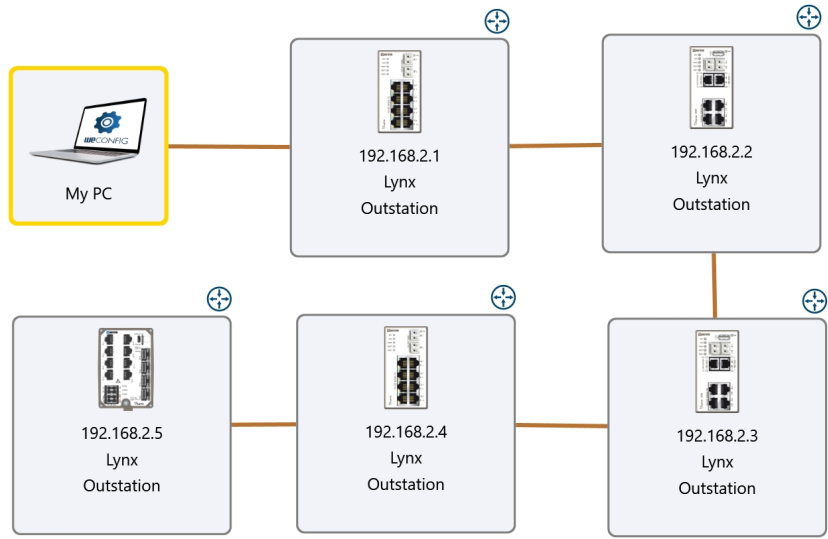


Deployment Report

Project Test Project
Generated 2021-03-23 10:01
Errors No errors detected during report generation



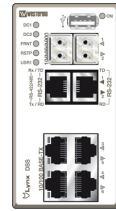
Devices

Hostname Lynx
Location Outstation
Family Lynx
Model L208-F2G-S2
MAC 00:07:7C:0D:89:60
Serial Number 14224
Firmware Version 4.29.0
Backup Firmware 4.29.0
SNMP Trap Hosts None
SNMP R Comm. public

SNMP Users
<none defined>

VLAN

VLAN 1 192.168.2.3/24
Tagged Ports None
Untagged Ports ETH 1-6

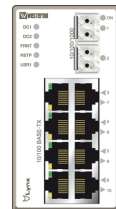


Hostname Lynx
Location Outstation
Family Lynx
Model L210-F2G
MAC 00:07:7C:0D:87:C0
Serial Number 14211
Firmware Version 4.29.0
Backup Firmware 4.29.0
SNMP Trap Hosts None
SNMP R Comm. public

SNMP Users
<none defined>

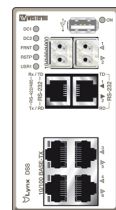
VLAN

VLAN 1 192.168.2.4/24
Tagged Ports None
Untagged Ports ETH 1-10



Hostname Lynx
Location Outstation
Family Lynx
Model L208-F2G-S2
MAC 00:07:7C:16:E6:E0
Serial Number 21776
Firmware Version 4.29.0
Backup Firmware 4.29.0
SNMP Trap Hosts None
SNMP R Comm. public

SNMP Users

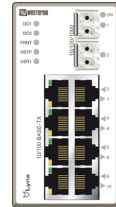


<none defined>

VLAN

VLAN 1 192.168.2.2/24
Tagged Ports None
Untagged Ports ETH 1-6

Hostname Lynx
Location Outstation
Family Lynx
Model L210-F2G
MAC 00:07:7C:13:19:40
Serial Number 18857
Firmware Version 4.29.0
Backup Firmware 4.29.0
SNMP Trap Hosts None
SNMP R Comm. public

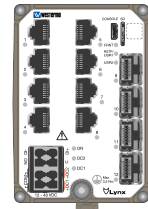


SNMP Users
<none defined>

VLAN

VLAN 1 192.168.2.1/24
Tagged Ports None
Untagged Ports ETH 1-10

Hostname Lynx
Location Outstation
Family Lynx
Model Lynx-5512-E-F4G-T8G-LV
MAC 00:07:7C:1C:D0:80
Serial Number 1020
Firmware Version 5.9.2
Backup Firmware 5.9.2
SNMP Trap Hosts None
SNMP R Comm. public



SNMP Users
<none defined>

VLAN

VLAN 1 192.168.2.5/24
 <Link local>
 <DHCP>
Tagged Ports ETH 10-12
Untagged Ports ETH 1-6, ETH 8-9
VLAN 10
Tagged Ports ETH 10-12
Untagged Ports ETH 7

Connections

Device	Port	Device	Port
Lynx@Outstation	7	Lynx@Outstation	5
Lynx@Outstation	3	Lynx@Outstation	3
Lynx@Outstation	3	Lynx@Outstation	eth5
Lynx@Outstation	3	Lynx@Outstation	5