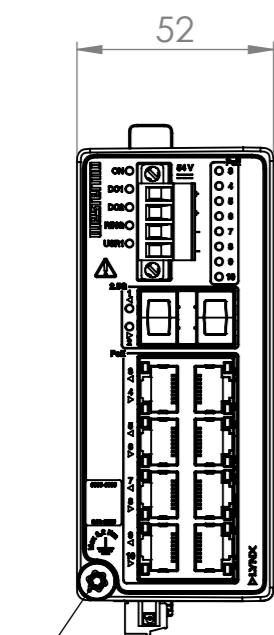
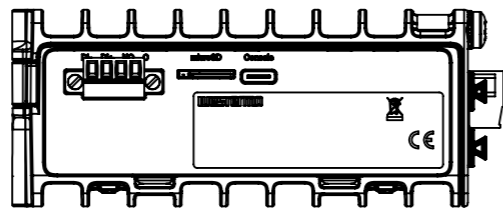
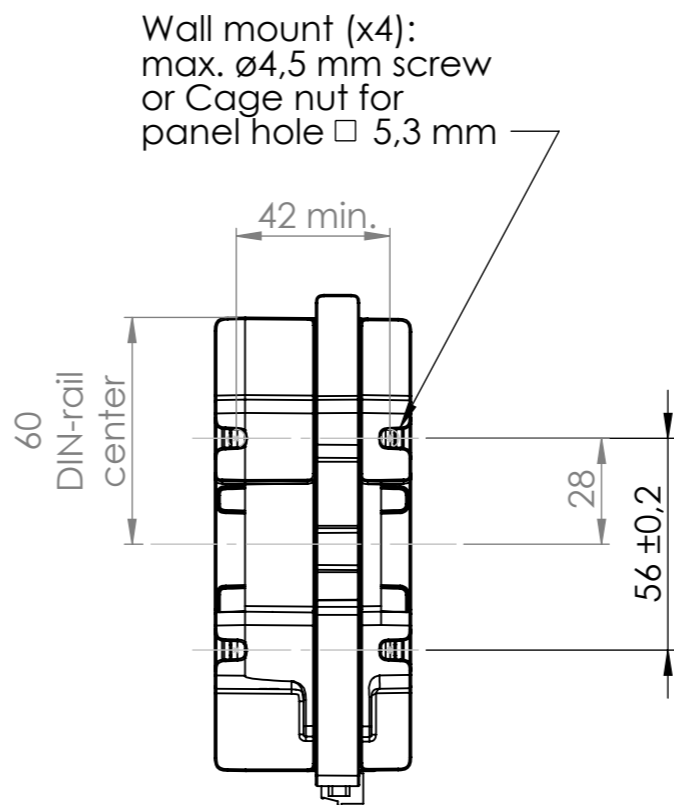
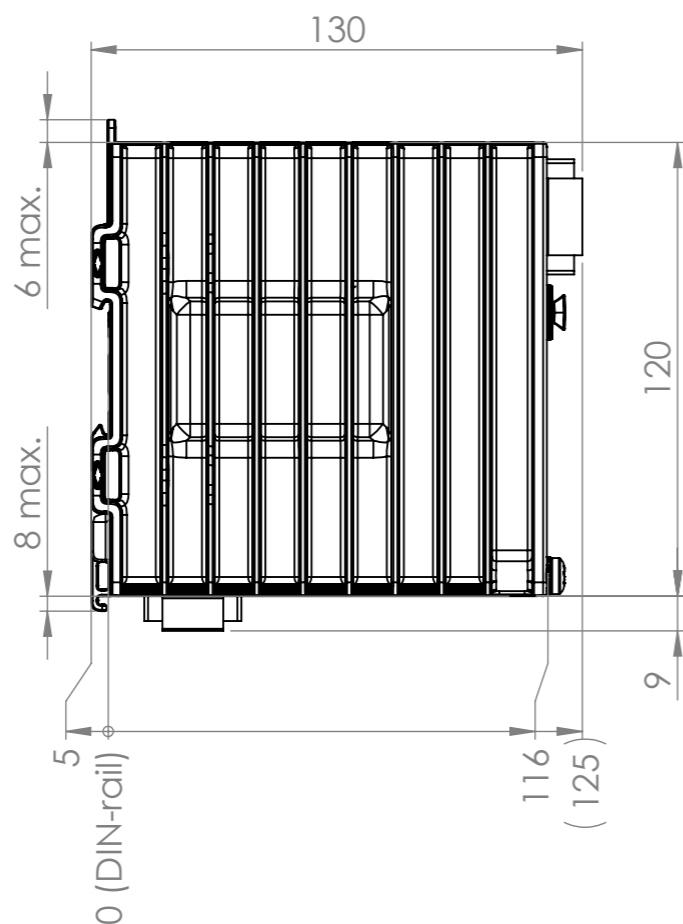


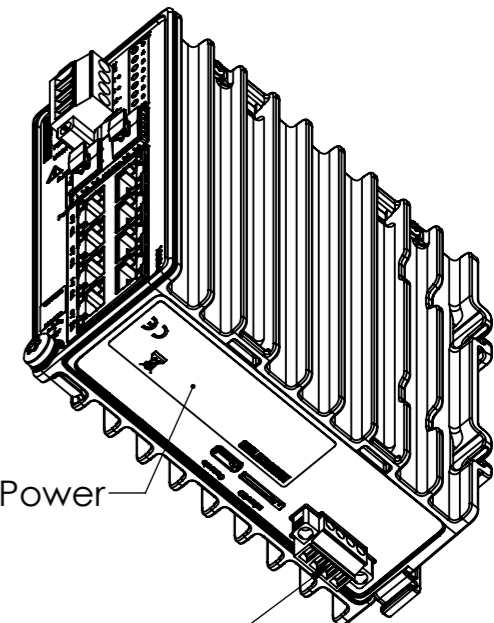
REVISIONS				
Rev	Description	Designer	Approved	Date
01	Created	KTN	KLI	2023-02-14



Grounding screw:
M5x12 (T25)
Max torque: 3,2 Nm

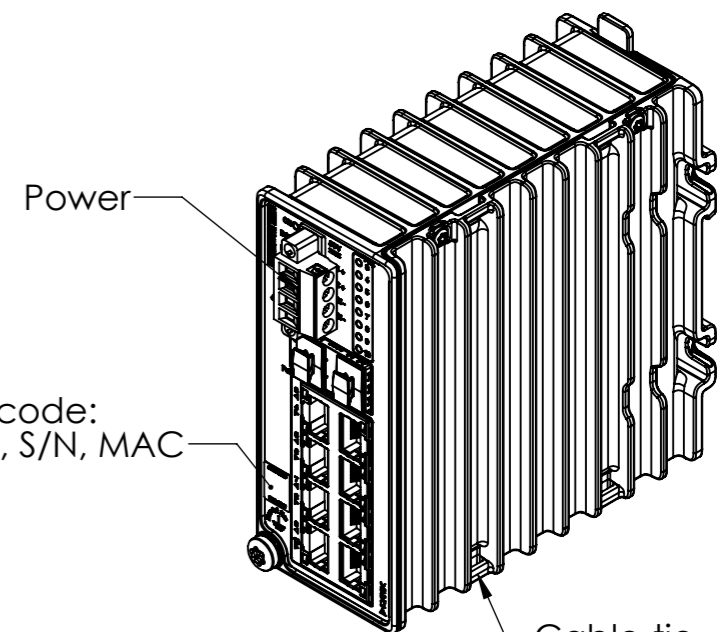


Wall mount (x4):
max. \varnothing 4,5 mm screw
or Cage nut for
panel hole \square 5,3 mm



Label:
P/N, Type, Power

I/O



Power

2D-code:
P/N, S/N, MAC

Cable-tie
attachment (x4)

Units	Material/Notes	Notes	Tolerance	
mm			± 1 mm	
WESTERMO		Denomination Lynx-3510-F2G2.5-P8G-LV	Designer KTN	Approved KLI
			Date 2023-02-14	Scale 1:2
			Status Approved	Sheet 1(1)
			Drawing No. 3627-0580-UD-01	