

## Multi Band Directional Panel Antenna

### ANT-LTE-PANEL

ANT-LTE-PANEL is a very compact directional panel antenna suitable for indoor and outdoor use. It covers GSM, UMTS, WLAN and LTE systems. The ANT-LTE-PANEL is supplied with a 30cm low loss fly lead and easily installed on a mast or for wall mounting.



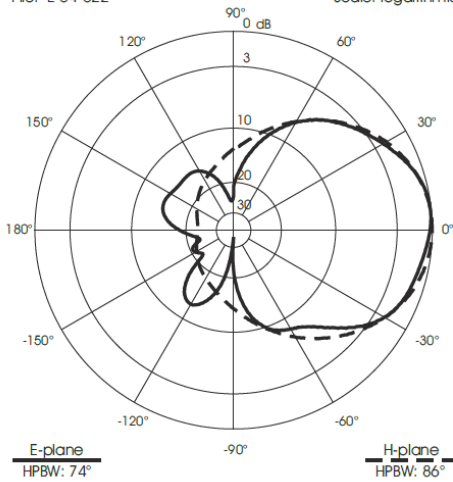
Ordering Information									
Art.no	Description								
9350-0310	ANT-LTE-PANEL, 2G/GPRS/3G/HSUPA/HSDPA/4G LTE antenna								
<ul style="list-style-type: none"> <li>• Multi band support 2G, 3G and 4G</li> <li>• Suitable for indoor and outdoor use</li> <li>• 9 dBi gain</li> <li>• Easy and quick installation on a mast or on the wall</li> <li>• 20°C to 80°C operational temperature range</li> </ul>									
Specifications									
Electrical									
Type	Directional mini panel wideband								
Frequency	790-960Mhz & 1710-2700Mhz @ SWR ≤ 2								
Impedance	50Ω								
Polarisation	Linear Vertical								
Beam Width	See <i>Typical Radiation Patterns</i>								
Gain	<table border="0"> <tr> <td>6-7 dBi for LTE 800 &amp; GSM</td> <td>790-960Mhz</td> </tr> <tr> <td>9 dBi for DCS</td> <td>1710-1880Mhz</td> </tr> <tr> <td>9 dBi for UMTS</td> <td>1920-2170Mhz</td> </tr> <tr> <td>8-9 dBi for LTE &amp; WLAN</td> <td>2300-2700Mhz</td> </tr> </table>	6-7 dBi for LTE 800 & GSM	790-960Mhz	9 dBi for DCS	1710-1880Mhz	9 dBi for UMTS	1920-2170Mhz	8-9 dBi for LTE & WLAN	2300-2700Mhz
6-7 dBi for LTE 800 & GSM	790-960Mhz								
9 dBi for DCS	1710-1880Mhz								
9 dBi for UMTS	1920-2170Mhz								
8-9 dBi for LTE & WLAN	2300-2700Mhz								

Max Power @ 30 °C	30W @ 790-960Mhz LTE 800 & GSM 15W @ 1710-1880Mhz DCS 10W @ 1920-2170Mhz UMTs 10W @ 20300-2700Mhz LTE & WLAN
<b>Mechanical</b>	
Dimensions	154 x 134 x 46 mm excluding bracket
Weight	500g
Connector	TNC (f)
Cable Type/Length	Low Loss / 50cm fly lead, feeder cable available – see <i>Antenna Part Guide</i>
Material	RAL 7035 Light Grey thermoplastic UV stabilized, galvanized steel
Installation Type	Mast: Ø25-42 mm with U-bolt (included) Wall: mounting screw (not included)
<b>Environmental</b>	
Temperature	Operating -40°C to 80°C
Wind Load @150Km/h	40 N
Wind Resistance	180 Km/h
Wind Surface	0.02m <sup>2</sup>

# Radiation Patterns

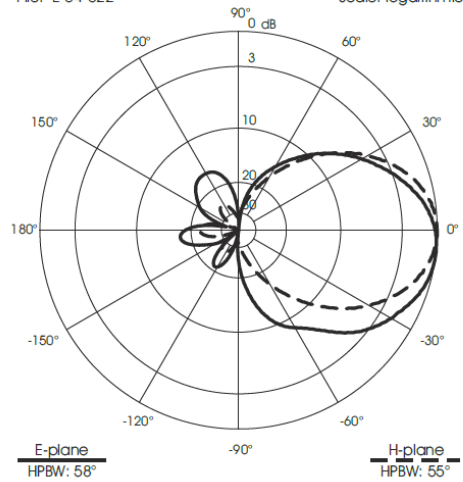
TYPICAL RADIATION PATTERN at 875 MHz

File: E-04-022 Scale: logarithmic



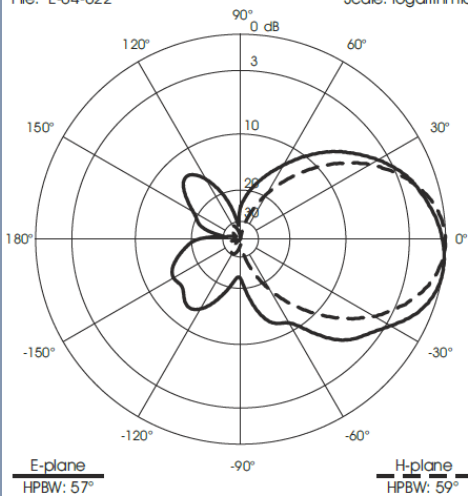
TYPICAL RADIATION PATTERN at 1795 MHz

File: E-04-022 Scale: logarithmic



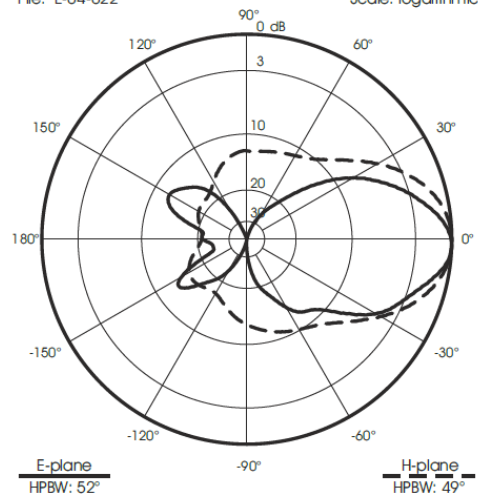
TYPICAL RADIATION PATTERN at 2045 MHz

File: E-04-022 Scale: logarithmic

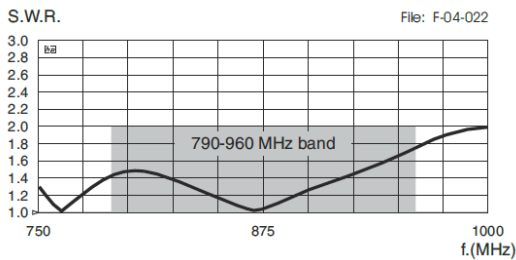


TYPICAL RADIATION PATTERN at 2500 MHz

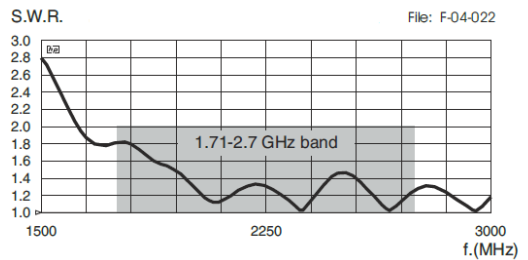
File: E-04-022 Scale: logarithmic



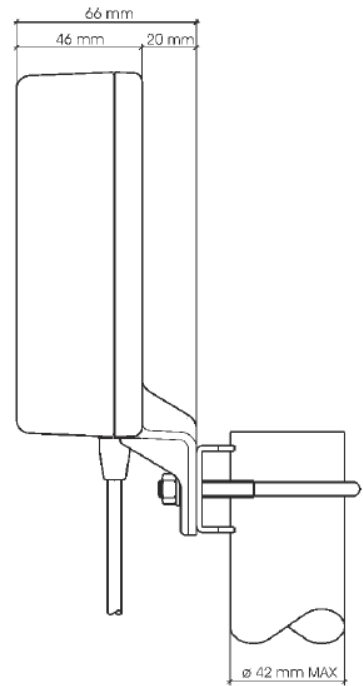
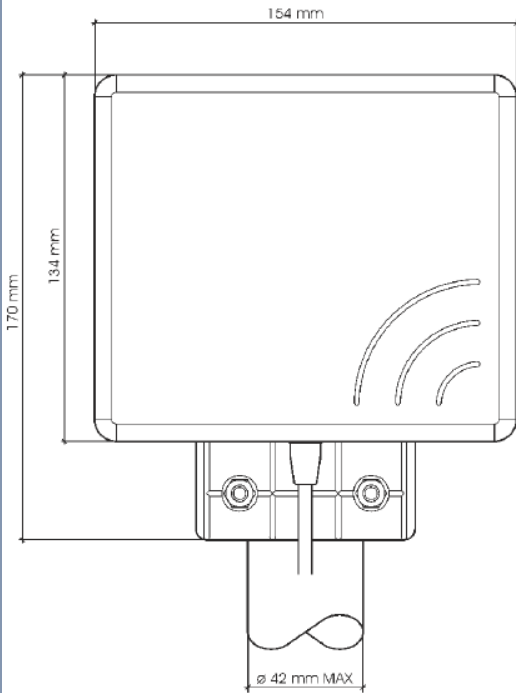
TYPICAL S.W.R. RESPONSE



TYPICAL S.W.R. RESPONSE



## Mast Mount Installation

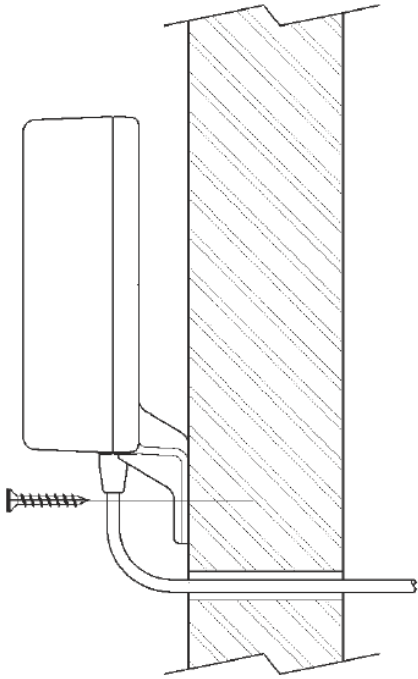


### IMPORTANT NOTE:

Ensure the mast is suitably grounded.

Adequate surge protection is the responsibility of the installer.

## Wall Mount Installation



It is recommended that the cable is installed internally to provide adequate protection.

Note: Screws not included

## Additional Part Required

See Antenna Part Guide