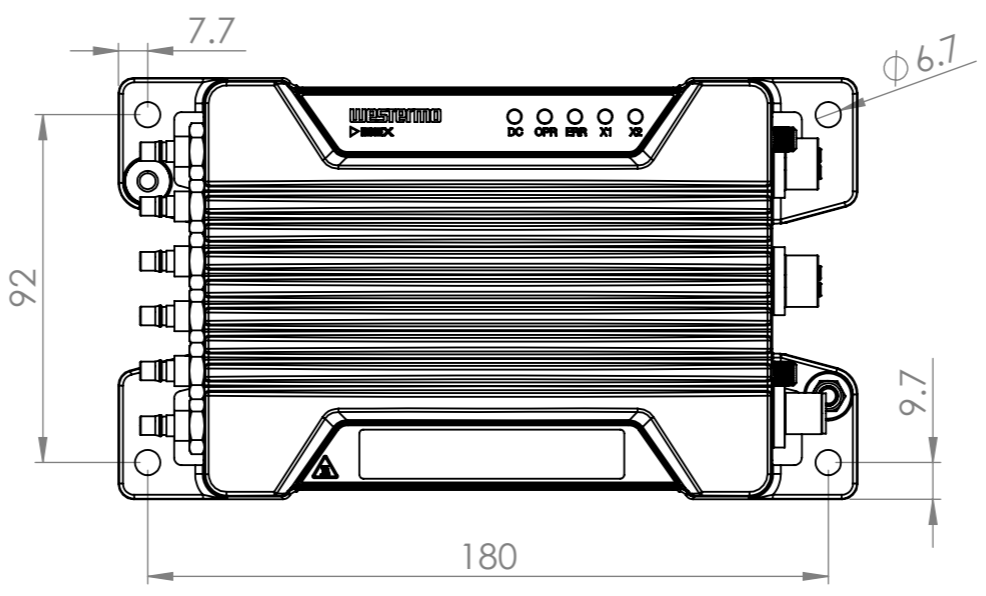
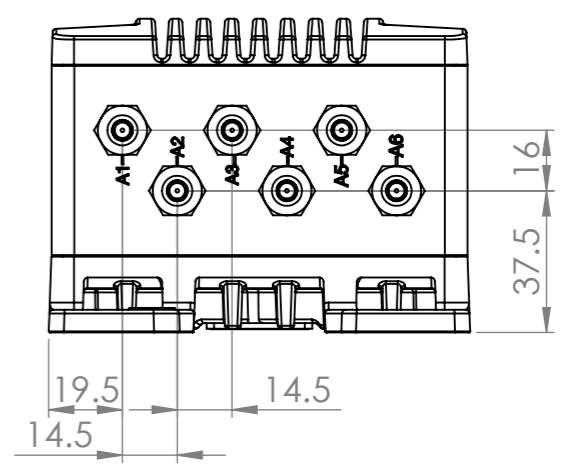
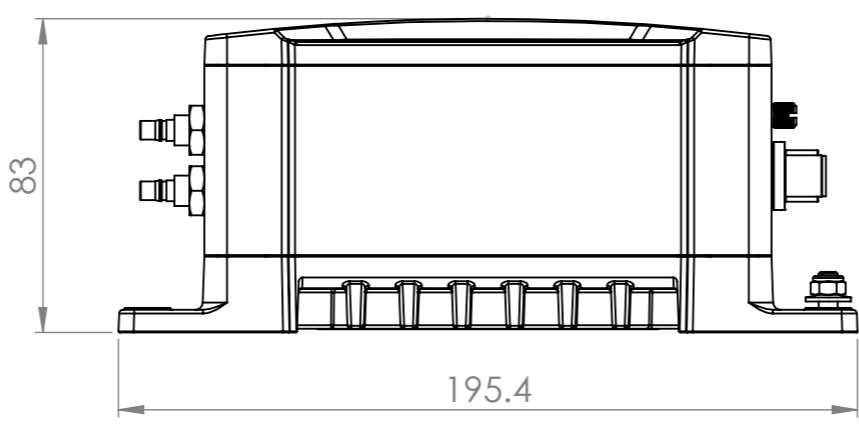
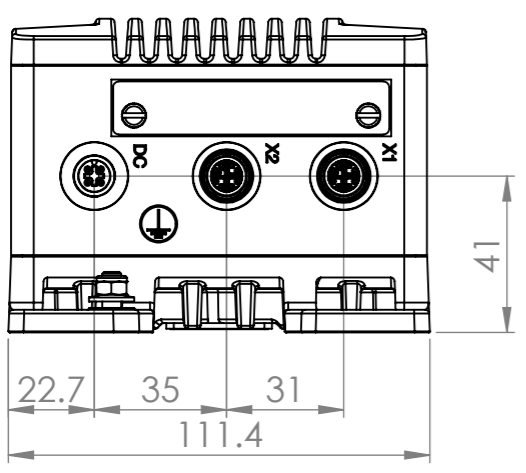
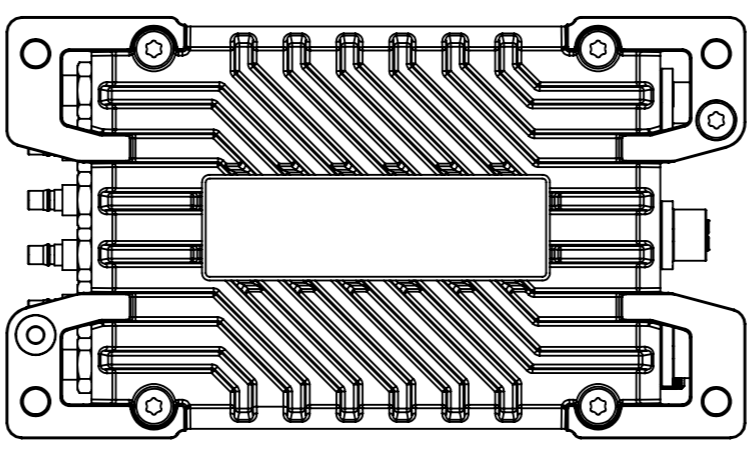


8 7 6 5 4 3 2 1

F  
E  
D  
C  
B  
A



	MATERIAL: -	FIRST ANGLE		ORIGINAL SIZE	SCALE:1:2	FINISH: -		
				A3				
PRODUCT: <b>Ibex-RT-630</b>	Unless otherwise specified: - Dimensions are in millimeters					- 01	chrha / 25.06.2020	steha / 25.06.2020
NAME: <b>Dimensions</b>	PART NO.:	SHEET 1 OF 1		- 02	chrha / 29.07.2020	steha / 29.07.2020		
	<b>105459</b>			- 03	chrha / 12.08.2020	steha / 12.08.2020		
				- 04	chrha / 28.01.2022	steha / 31.01.2022		
				REV.	VER.	NAME / DATE	APPROVED / DATE	

Confidential: This is proprietary information of Westermo. No reproduction / copying is allowed without permission

8 7 6 5 4 3 2 1