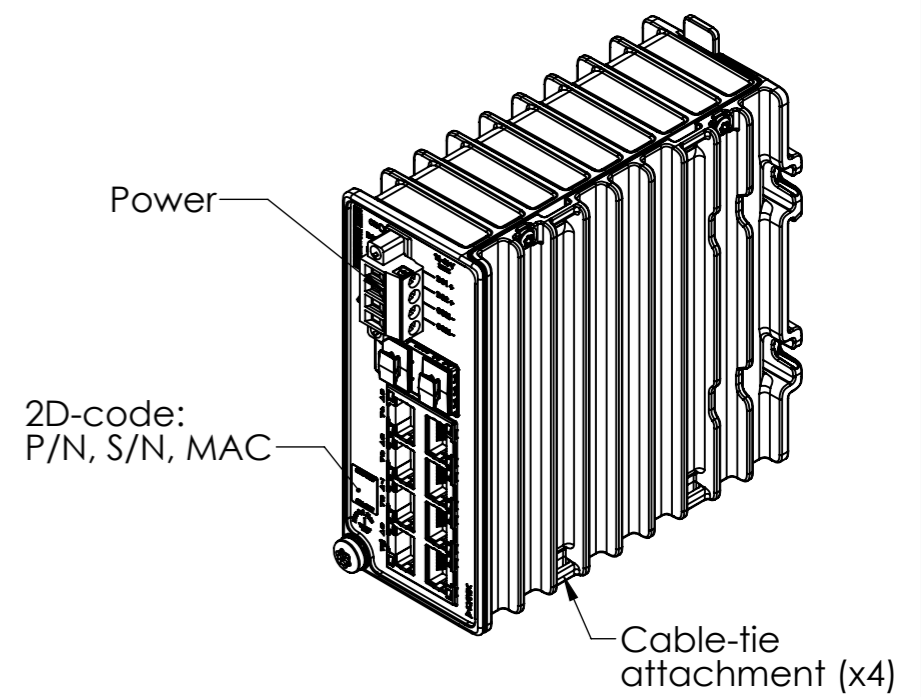
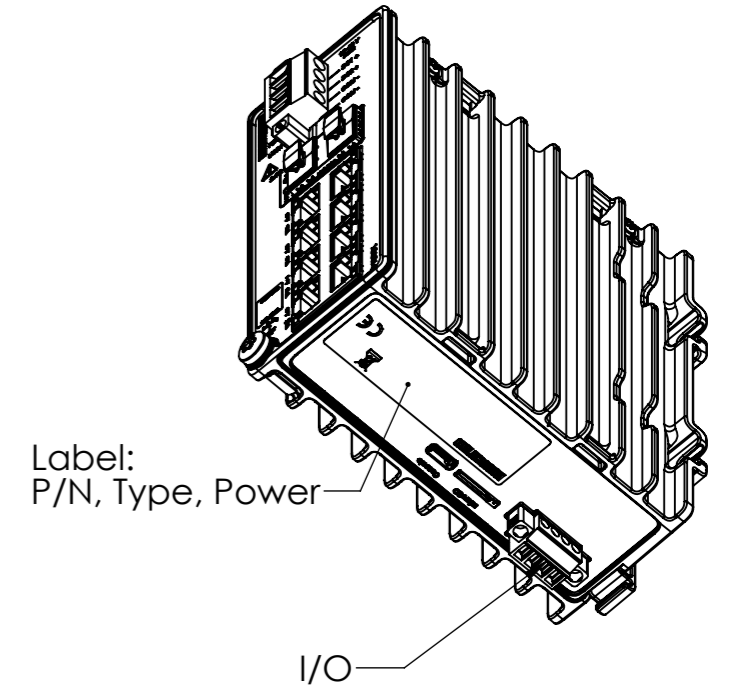
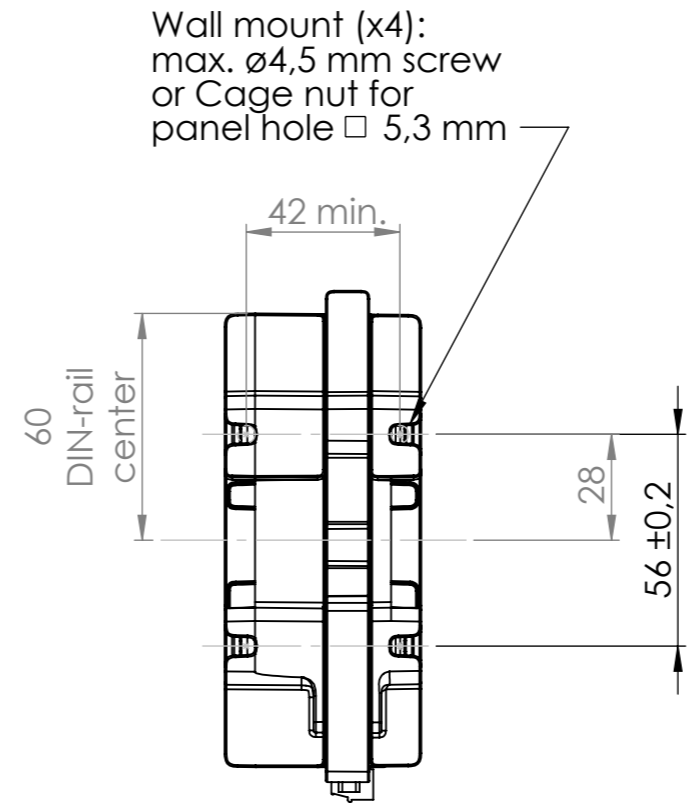
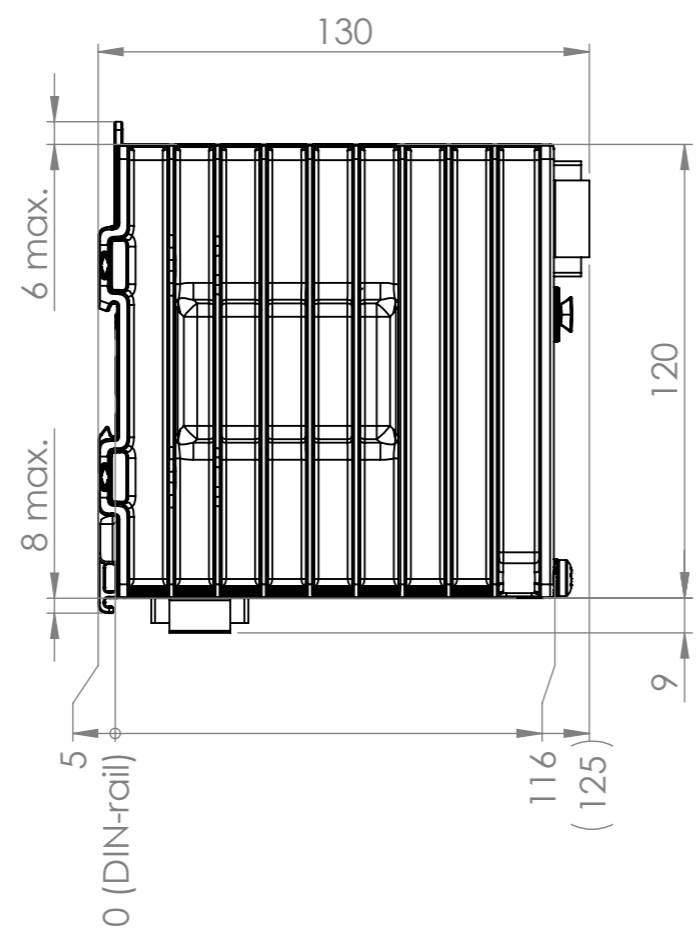
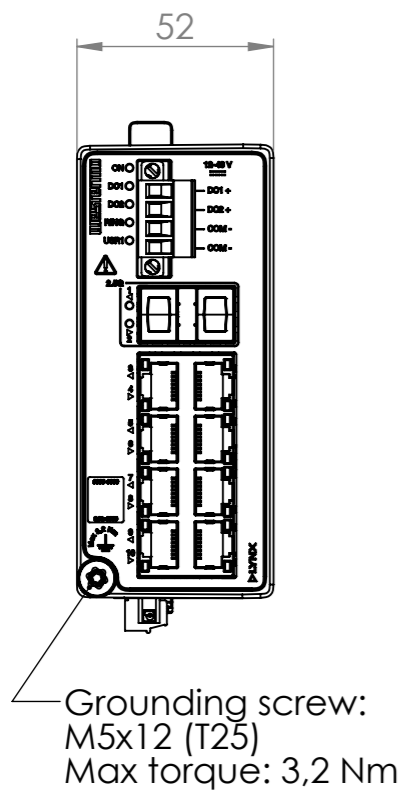
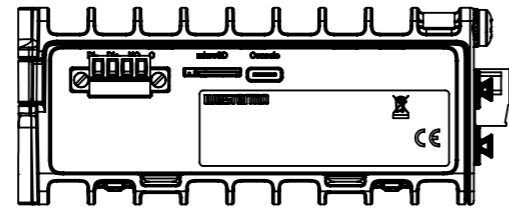


REVISIONS				
Rev	Description	Designer	Approved	Date
01	Created	KTN	KLI	2023-01-26



	Units	Material/Notes	Notes		Tolerance		Scale		Sheet	
	mm				±1 mm		1:2		1(1)	
Denomination			Designer	Approved	Date	Status				
Lynx-3510-F2G2.5-T8G-LV			KTN	KLI	2023-01-26	Approved				
Drawing No.			Status							
3627-0540-UD-01			Approved							